



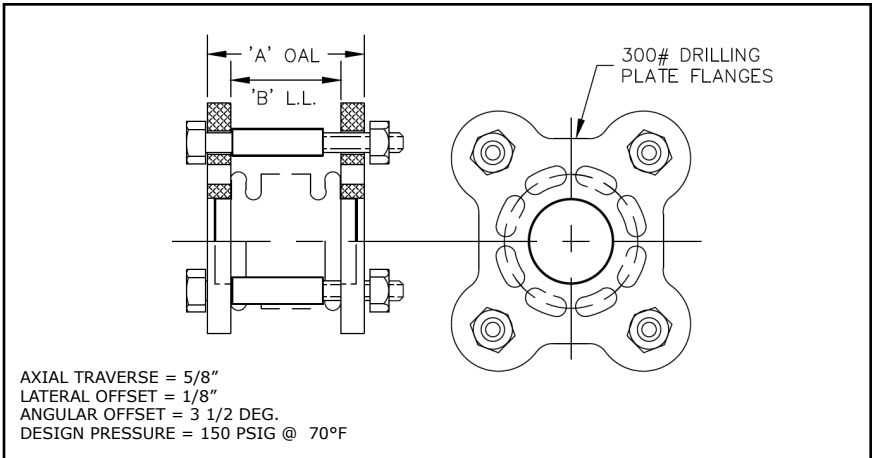
HVAC Products

SUBMITTAL

Mar 2018

301 SERIES PUMP CONNECTOR W/300# PLATE FLANGES W/TIE RODS

PROJECT:	
CUSTOMER:	
ENGINEER:	
ARCHITECT:	



MATERIALS OF CONSTRUCTION	
BELLOWS:	T-304 STN STL
FLANGES:	CARBON STEEL

QTY	ID # OR TAG #	DIA (IN)	KEFLEX PART #	'B' LL	'A' OAL	3D Model (.stp)
		2"	F020301TR1230	3 1/2"	5 1/2"	
		2 1/2"	F024301TR1230	3 1/2"	5 1/2"	
		3"	F030301TR1230	3 1/2"	5 1/2"	
		4"	F040301TR1230	3 1/2"	5 1/2"	
		5"	F050301TR1230	3 1/2"	5 1/2"	
		6"	F060301TR1230	3 1/2"	5 1/2"	
		8"	F080301TR1230	3 1/2"	5 1/2"	
		10"	F100301TR1230	3 1/2"	5 1/2"	
		12"	F120301TR1230	3 1/2"	5 1/2"	
		14"	F140301TR1230	7"	9 1/2"	
		16"	F160301TR1230	7"	9 1/2"	
		18"	F180301TR1230	7"	9 1/2"	
		20"	F200301TR1230	7"	9 1/2"	
		24"	F240301TR1230	7"	9 1/2"	

IMPORTANT LINKS			
BROCHURE:		TECHNICAL DATA:	
INSTALLATION INSTRUCTIONS:		WEBSITE:	KELCOIND.COM



MADE IN THE USA

1425 LAKE AVE
 WOODSTOCK, IL 60098
 815-334-3600