



HVAC Products

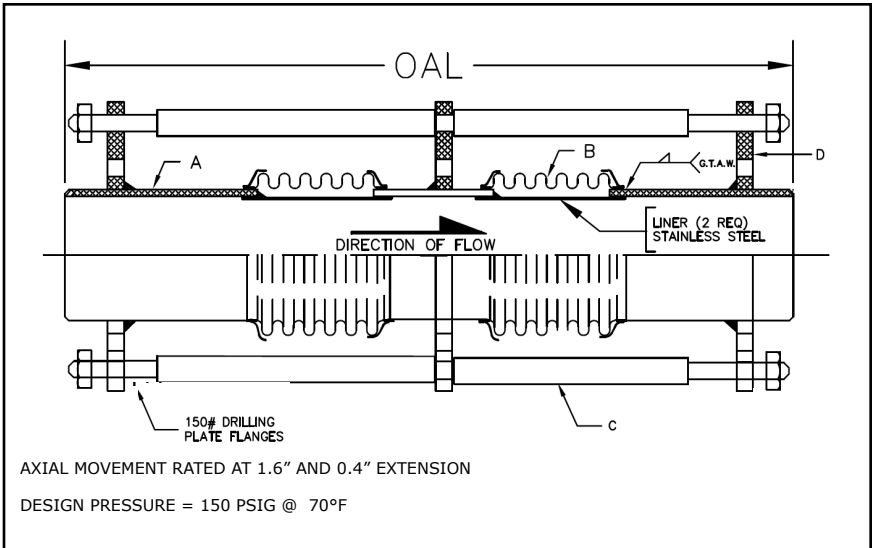
SUBMITTAL

Mar 2018

308 SERIES DUAL EXPANSION JOINT 2" TRAVEL W/WELD ENDS & TIE RODS

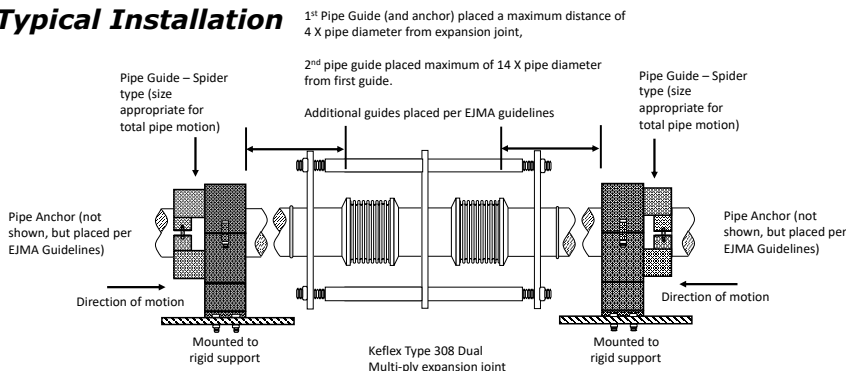
PROJECT:	
CUSTOMER:	
ENGINEER:	
ARCHITECT:	

MATERIALS OF CONSTRUCTION	
'A' PIPE SCH 40:	CARBON STEEL
'B' CAPSULE:	T-304 STN STL
'C' TIE RODS/SPACERS:	CARBON STEEL
'D' PLATE FLANGES:	CARBON STEEL



QTY	ID # OR TAG #	DIA (IN)	KEFLEX PART #	OAL	AXIAL FORCE TO COMPRESS (LBS)	WEIGHT (LBS)	3D Model (.stp)
		2"	F020M308DT902	19"	100	42	
		2 1/2"	F024M308DT902	19"	200	43	
		3"	F030M308DT902	19"	150	64	
		4"	F040M308DT902	19"	400	82	
		5"	F050M308DT902	19"	225	98	
		6"	F060M308DT902	19"	250	114	
		8"	F080M308DT902	19"	400	155	
		10"	F100M308DT902	19"	600	198	
		12"	F120M308DT902	19"	350	267	

Typical Installation



IMPORTANT LINKS

BROCHURE:	
INSTALLATION INSTRUCTIONS:	
TECHNICAL DATA:	
WEBSITE:	KELCOIND.COM



MADE IN THE USA

**1425 LAKE AVE
WOODSTOCK, IL 60098
815-334-3600**