



HVAC Products

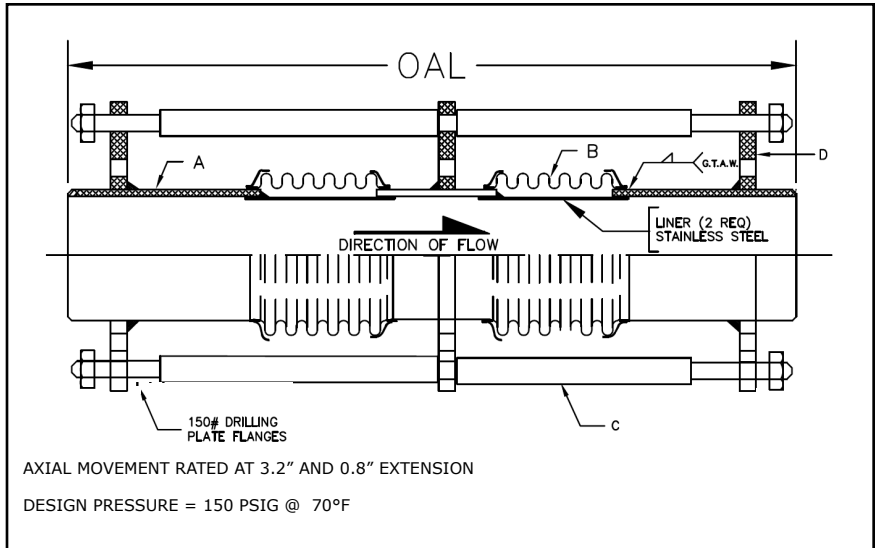
# SUBMITTAL

Mar 2018

## 308 SERIES DUAL EXPANSION JOINT 4" TRAVEL W/WELD ENDS & TIE RODS

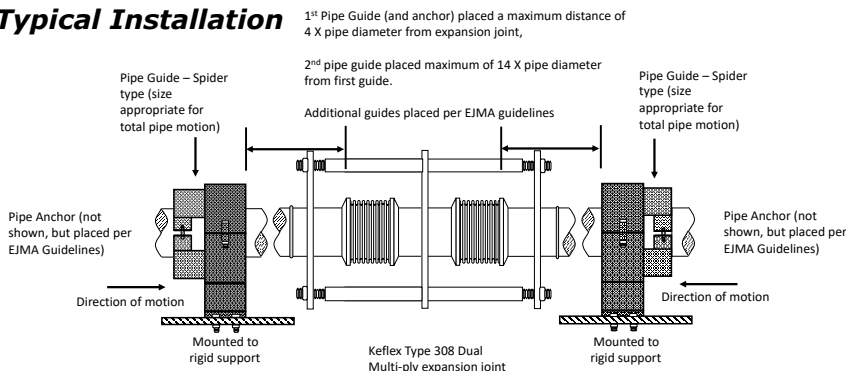
<b>PROJECT:</b>	
<b>CUSTOMER:</b>	
<b>ENGINEER:</b>	
<b>ARCHITECT:</b>	

MATERIALS OF CONSTRUCTION	
'A' PIPE SCH 40:	CARBON STEEL
'B' CAPSULE:	T-304 STN STL
'C' TIE RODS/SPACERS:	CARBON STEEL
'D' PLATE FLANGES:	CARBON STEEL



QTY	ID # OR TAG #	DIA (IN)	KEFLEX PART #	OAL	AXIAL FORCE TO COMPRESS (LBS)	WEIGHT (LBS)	3D Model (.stp)
		2"	F020M308DT904	24"	175	47	
		2 1/2"	F024M308DT904	24"	350	48	
		3"	F030M308DT904	24"	225	71	
		4"	F040M308DT904	24"	575	89	
		5"	F050M308DT904	24"	350	105	
		6"	F060M308DT904	24"	400	121	
		8"	F080M308DT904	24"	575	165	
		10"	F100M308DT904	24"	850	206	
		12"	F120M308DT904	24"	475	276	

### Typical Installation



### IMPORTANT LINKS

BROCHURE:	
INSTALLATION INSTRUCTIONS:	
TECHNICAL DATA:	
WEBSITE:	<a href="http://KELCOIND.COM">KELCOIND.COM</a>



MADE IN THE USA

**1425 LAKE AVE  
WOODSTOCK, IL 60098  
815-334-3600**