



HVAC Products

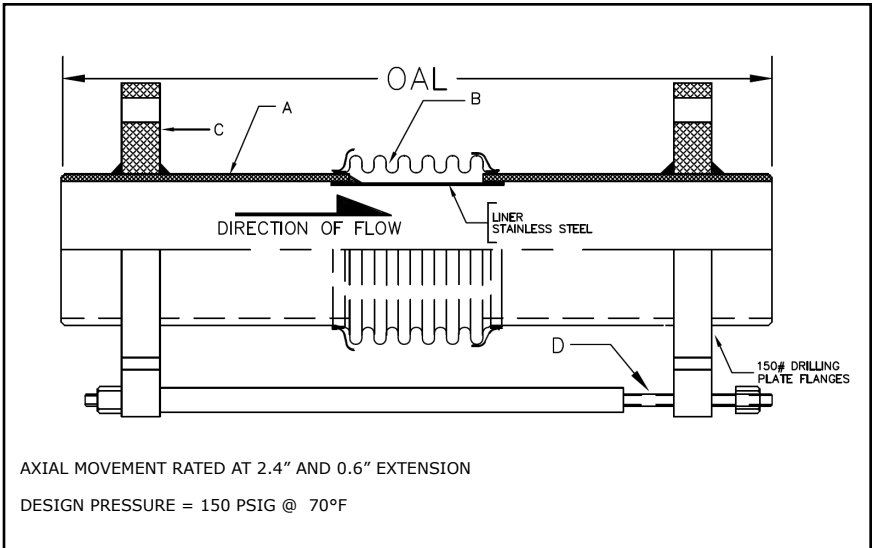
# SUBMITTAL

Mar 2018

## 308 SERIES EXPANSION JOINT 3" TRAVEL W/WELD ENDS & TIE RODS

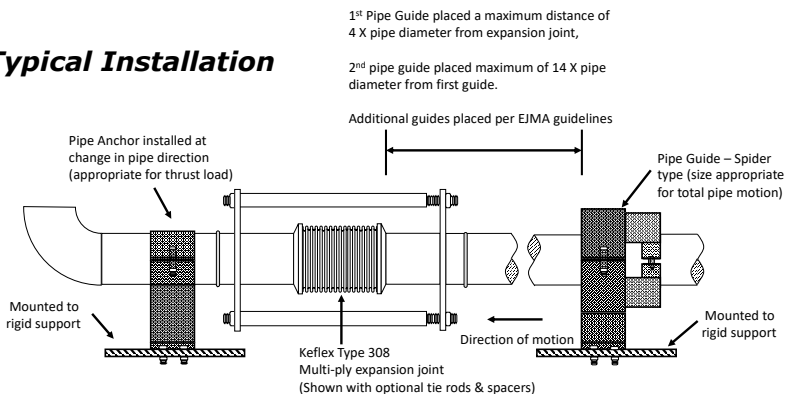
<b>PROJECT:</b>	
<b>CUSTOMER:</b>	
<b>ENGINEER:</b>	
<b>ARCHITECT:</b>	

MATERIALS OF CONSTRUCTION	
'A' PIPE SCH 40:	CARBON STEEL
'B' CAPSULE:	T-304 STN STL
'C' PLATE FLANGE:	CARBON STEEL
'D' TIE RODS/SPACERS	CARBON STEEL



QTY	ID # OR TAG #	DIA (IN)	KEFLEX PART #	OAL	AXIAL FORCE TO COMPRESS (LBS)	WEIGHT (LBS)	3D Model (.stp)
		2"	F020M308T903	17"	200	31	
		2 1/2"	F024M308T903	17"	400	36	
		3"	F030M308T903	17"	300	41	
		4"	F040M308T903	17"	700	50	
		5"	F050M308T903	17"	425	66	
		6"	F060M308T903	17"	500	78	
		8"	F080M308T903	17"	750	120	
		10"	F100M308T903	17"	1000	158	
		12"	F120M308T903	17"	600	211	

### Typical Installation



### IMPORTANT LINKS

BROCHURE:	
INSTALLATION INSTRUCTIONS:	
TECHNICAL DATA:	
WEBSITE:	<a href="http://KELCOIND.COM">KELCOIND.COM</a>



MADE IN THE USA

**1425 LAKE AVE  
WOODSTOCK, IL 60098  
815-334-3600**