



HVAC Products

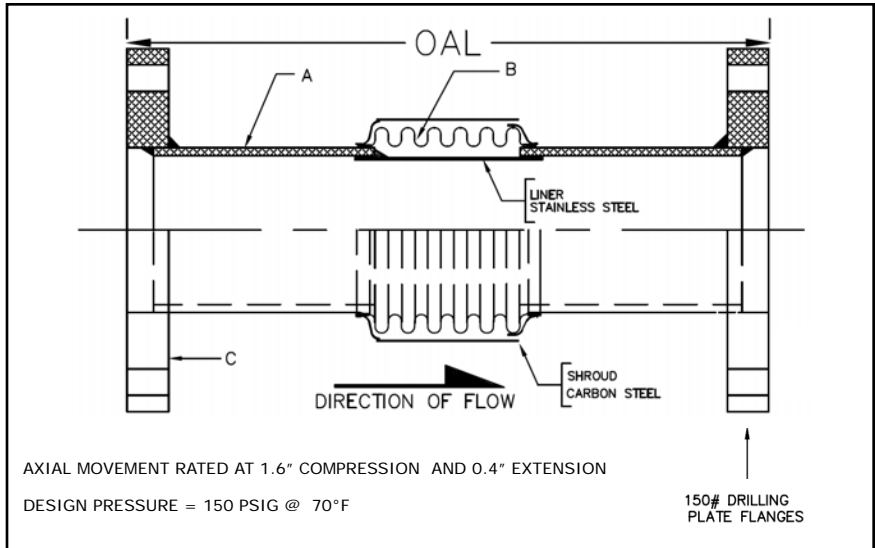
SUBMITTAL

Mar 2018

311 SERIES EXPANSION JOINT 2" TRAVEL W/150# PLATE FLANGES

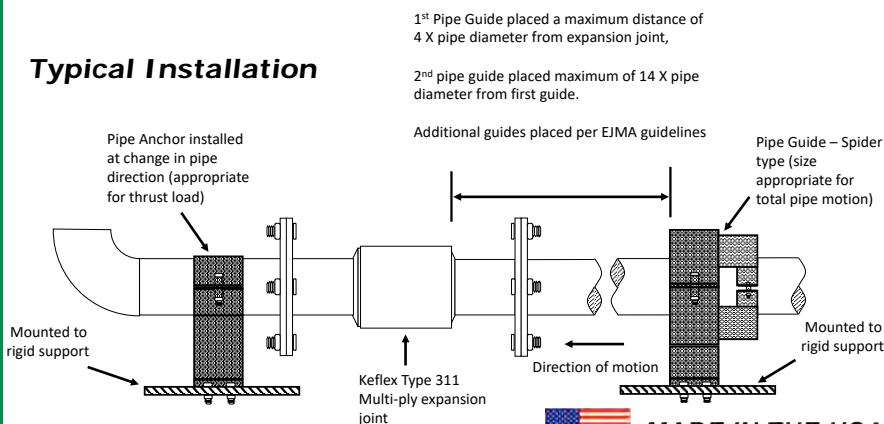
PROJECT:	
CUSTOMER:	
ENGINEER:	
ARCHITECT:	

MATERIALS OF CONSTRUCTION	
'A' PIPE SCH 40:	CARBON STEEL
'B' CAPSULE:	T-304 STN STL
'C' PLATE FLANGE:	CARBON STEEL



QTY	ID # OR TAG #	DIA (IN)	KEFLEX PART #	OAL	AXIAL FORCE TO COMPRESS (LBS)	WEIGHT (LBS)	3D Model (.stp)
		2"	F020M3111502	17"	175	14	
		2 1/2"	F024M3111502	17"	350	19	
		3"	F030M3111502	17"	225	23	
		4"	F040M3111502	17"	575	33	
		5"	F050M3111502	17"	350	46	
		6"	F060M3111502	17"	400	59	
		8"	F080M3111502	17"	575	95	
		10"	F100M3111502	17"	850	125	
		12"	F120M3111502	17"	475	175	

Typical Installation



MADE IN THE USA

IMPORTANT LINKS

BROCHURE:	
INSTALLATION INSTRUCTIONS:	
TECHNICAL DATA:	
WEBSITE:	KELCOIND.COM

**1425 LAKE AVE
WOODSTOCK, IL 60098
815-334-3600**