



HVAC Products

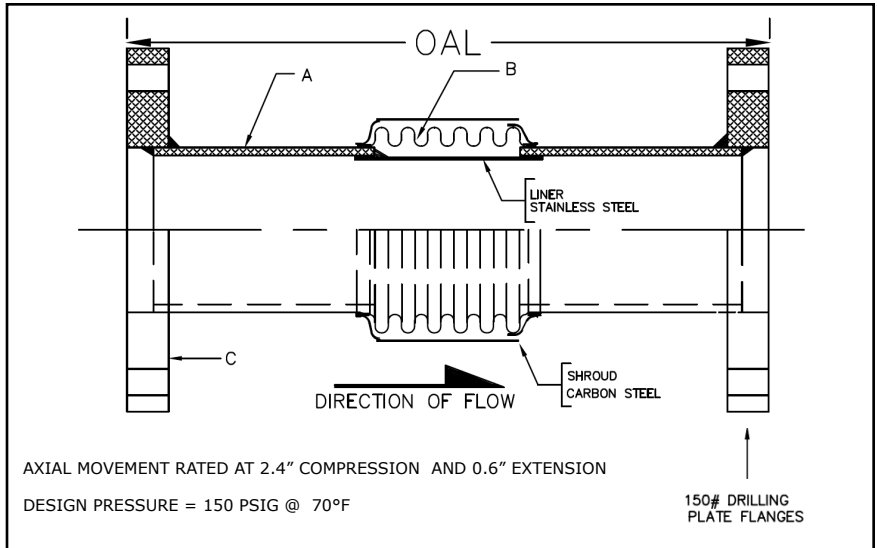
SUBMITTAL

Mar 2018

311 SERIES EXPANSION JOINT 3" TRAVEL W/150# PLATE FLANGES

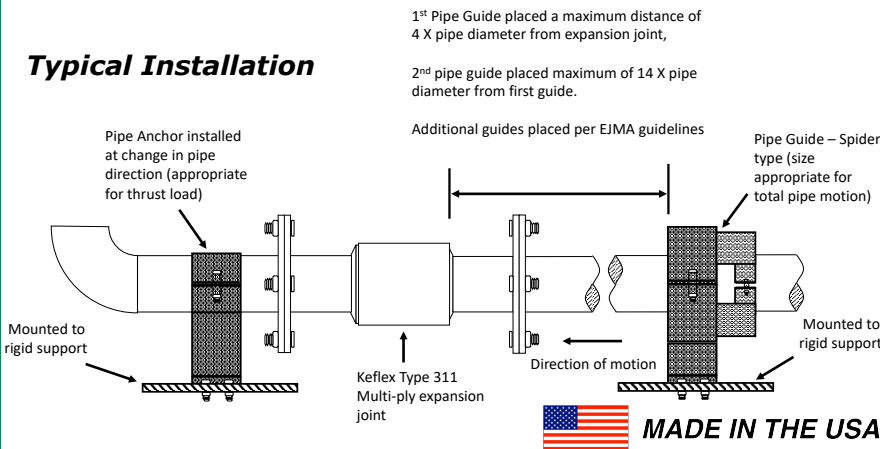
PROJECT:	
CUSTOMER:	
ENGINEER:	
ARCHITECT:	

MATERIALS OF CONSTRUCTION	
'A' PIPE SCH 40:	CARBON STEEL
'B' CAPSULE:	T-304 STN STL
'C' PLATE FLANGE:	CARBON STEEL



QTY	ID # OR TAG #	DIA (IN)	KEFLEX PART #	OAL	AXIAL FORCE TO COMPRESS (LBS)	WEIGHT (LBS)	3D Model (.stp)
		2"	F020M3111503	20"	200	16	
		2 1/2"	F024M3111503	20"	400	21	
		3"	F030M3111503	20"	300	26	
		4"	F040M3111503	20"	700	37	
		5"	F050M3111503	20"	425	53	
		6"	F060M3111503	20"	500	64	
		8"	F080M3111503	20"	750	105	
		10"	F100M3111503	20"	1000	140	
		12"	F120M3111503	20"	600	192	

Typical Installation



IMPORTANT LINKS	
BROCHURE:	
INSTALLATION INSTRUCTIONS:	
TECHNICAL DATA:	
WEBSITE:	KELCOIND.COM

**1425 LAKE AVE
WOODSTOCK, IL 60098
815-334-3600**