



HVAC Products

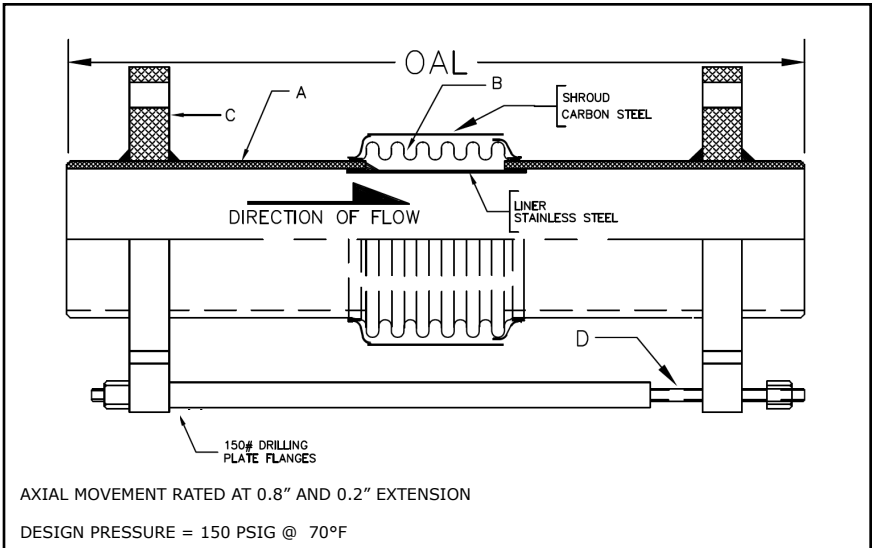
SUBMITTAL

Mar 2018

311 SERIES EXPANSION JOINT 1" TRAVEL W/WELD ENDS & TIE RODS

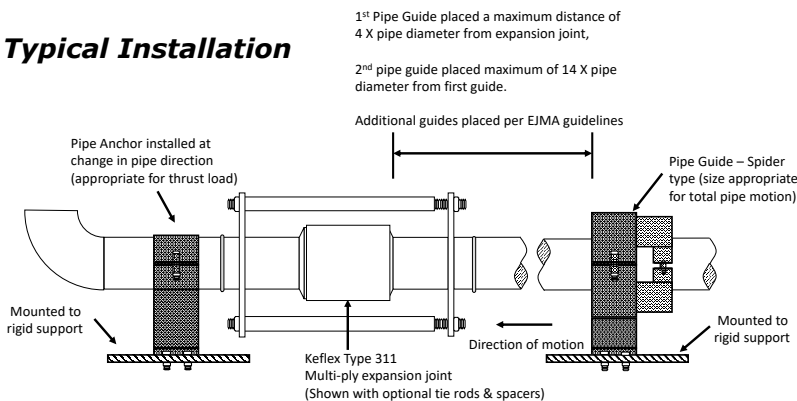
| | |
|------------|--|
| PROJECT: | |
| CUSTOMER: | |
| ENGINEER: | |
| ARCHITECT: | |

| MATERIALS OF CONSTRUCTION | |
|---------------------------|---------------|
| 'A' PIPE SCH 40: | CARBON STEEL |
| 'B' CAPSULE: | T-304 STN STL |
| 'C' PLATE FLANGE: | CARBON STEEL |
| 'D' TIE RODS/SPACERS | CARBON STEEL |



| QTY | ID # OR TAG # | DIA (IN) | KEFLEX PART # | OAL | AXIAL FORCE TO COMPRESS (LBS) | WEIGHT (LBS) | 3D Model (.stp) |
|-----|---------------|----------|---------------|-----|-------------------------------|--------------|-----------------|
| | | 2" | F020M311T901 | 15" | 100 | 27 | |
| | | 2 1/2" | F024M311T901 | 15" | 200 | 32 | |
| | | 3" | F030M311T901 | 15" | 150 | 37 | |
| | | 4" | F040M311T901 | 15" | 400 | 47 | |
| | | 5" | F050M311T901 | 15" | 225 | 62 | |
| | | 6" | F060M311T901 | 15" | 250 | 76 | |
| | | 8" | F080M311T901 | 15" | 400 | 112 | |
| | | 10" | F100M311T901 | 15" | 600 | 144 | |
| | | 12" | F120M311T901 | 15" | 350 | 198 | |

Typical Installation



IMPORTANT LINKS

| | |
|----------------------------|--|
| BROCHURE: | |
| INSTALLATION INSTRUCTIONS: | |
| TECHNICAL DATA: | |
| WEBSITE: | KELCOIND.COM |



MADE IN THE USA

1425 LAKE AVE
WOODSTOCK, IL 60098
815-334-3600