

AC Frame Solenoid

Model 28HD



1425 Lake Avenue, Woodstock, IL 60098

Features:

- Available return spring kit
- AC & DC Applications (See Model 28HD DC)
- UL Recognized
- RoHS Compliant
- Coil Termination: 3/16" QC terminals

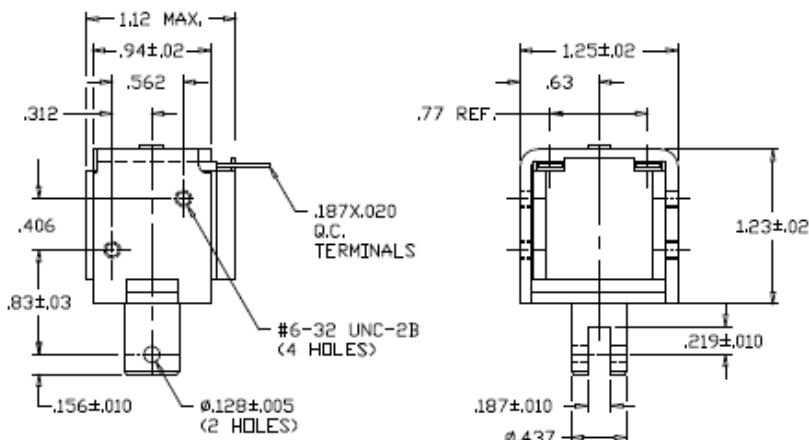
Electrical:

- Coil Voltages: 120, 240 VAC standard
- Duty Cycle: 100% Continuous, 25% Intermittent, 10% Intermittent, 1% Intermittent
- Coil treatment: Plastic cover
- Insulation Class: Class A Rating - 105° C (221° F)
- Dielectric Strength: 1500V 60 Hz

Mechanical:

- Size: 1.23" (L) x 1.12" (W) x 1.25" (H)
- Plunger Diameter: 0.437"
- Plunger Guide Material: Plastic
- Mounting: 2 - #6-32 holes
- Weight: Plunger 1 oz, Total 6 oz
- Life Expectancy: 1 Million Cycles¹

¹ - Dependent on load conditions



Solenoid shown energized with plunger fully seated

Standard Part Numbers

Model No.	Part No.	Duty Cycle	Voltage	Resistance ² (Ω)	Power (W)	Current
28HD-C-120A	A420-065956-00	Cont.	120VAC	375	9	75 mA
28HD-I-120A	A420-065957-00	Inter. 20%	120VAC	173	28	233 mA
28HD-C-240A	A420-065958-00	Cont.	240VAC	1480	9	38 mA
28HD-I-240A	A420-065959-00	Inter. 20%	240VAC	800	28	117 mA

² - Coil resistance tolerance +/- 5%

Contact us for custom voltages or duty cycles



Available Customization:

- Plunger
 - AC Voltage / Duty Cycle
 - Coil Termination
 - Insulation systems up to class H 180° C (356° F)
- * Minimum quantities apply

Stroke (in.)	Typical Pull Force Ounces [N] @ 20°C (68°F) (Distance from fully seated position)				HOLDING FORCE Ounces [N]
	0.050	0.125	0.250	0.375	
Continuous 100%	12 [3.3]	9 [2.5]	6 [1.7]	4 [1.1]	35 [9.7]
Intermittent 20%	24 [6.7]	18 [5]	13 [3.6]	8 [2.2]	61 [17]

Continuous Duty = 100% On Time
Intermittent Duty 20% = 20% On Time (4 Minutes On Max Followed By 16 Minutes Off)

Optional Return Spring Kit

A490-367462-09



www.kelcoind.com

Information contained in this specification sheet subject to change without notice. Guardian Electric ©

