

AC Laminated Solenoid

Model 12



1425 Lake Avenue, Woodstock, IL 60098

Features:

- High stroke force
- High holding force
- Brass plunger guide
- RoHS Compliant
- UL Recognized

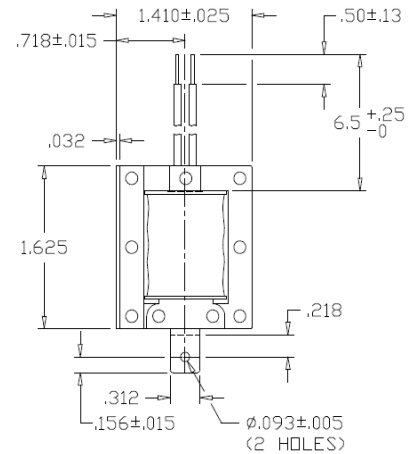
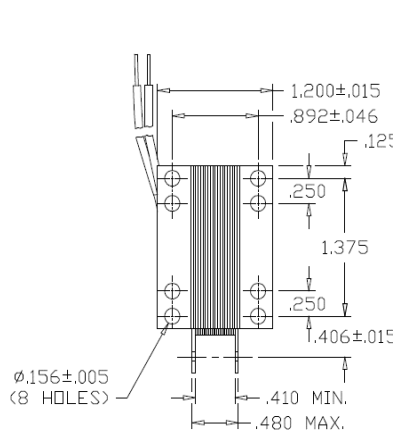
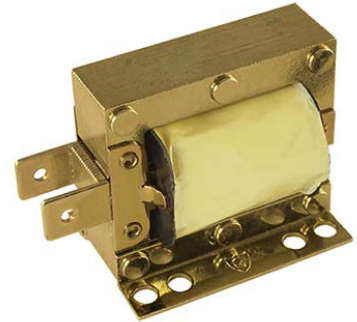
Electrical:

- Coil Voltages: 120, 240 VAC standard
- Coil Termination: 1/4" Quick Connects
- Duty Cycle: 100% Continuous, 20% Intermittent
- Coil treatment: Encapsulated, Tape Wrapped
- Insulation Class: Class A Rating - 105° C (221° F)
- Dielectric Strength: 1500V 60 Hz

Mechanical:

- Size: 1.63" (L) x 1.25" (W) x 1.4" (H)
- Plunger Width: 0.41"
- Plunger Guide Material: Steel
- Mounting: 8 x .156" holes
- Weight: Plunger 1 oz, Total 5.5 oz
- Life Expectancy: 500,000 Cycles¹

¹ - Dependent on load conditions



Solenoid shown energized with plunger fully seated

Standard Part Numbers

Model No.	Part No.	Duty Cycle	Voltage	Resistance ² (Ω)	Power (VA)	Current
12-C-120A	A421-062507-12	Cont.	120VAC	150	22	183 mA
12-I-120A	A421-062507-11	Inter. 20%	120VAC	100	33	275 mA
12-C-240A	A421-062507-14	Cont.	240VAC	600	22	92 mA
12-I-240A	A421-062507-13	Inter. 20%	240VAC	400	33	138 mA

² - Coil resistance tolerance +/- 5%

Contact us for custom voltages or duty cycles

4+1

Available Customization:

- Plunger Connection
- Coil Treatment
- Coil Terminations
- Insulation systems up to class H 180° C (356° F)

*** Minimum quantities apply**

Stroke (in.)	Typical Pull Force Ounces [N] @ 20°C (68°F) (Distance from fully seated position)							HOLDING FORCE Ounces [N]
	0.125	0.250	0.375	0.500	0.625	0.750	1.000	
Continuous 100%	30 [8.3]	21 [5.8]	17 [4.7]	16 [4.4]	15 [4.2]	12 [3.3]	5 [1.4]	25 [7]
Intermittent 20%	48 [13.3]	32 [8.9]	28 [7.8]	24 [6.7]	20 [5.6]	17 [4.7]	8 [2.2]	35 [9.7]

Continuous Duty 100% = 100% On Time

Intermittent Duty 20% = 20% On Time (3 Minutes On Max Followed By 12 Minutes Off)



www.kelcoind.com

Information contained in this specification sheet subject to change without notice. Guardian Electric ©

