

# AC Laminated Solenoid

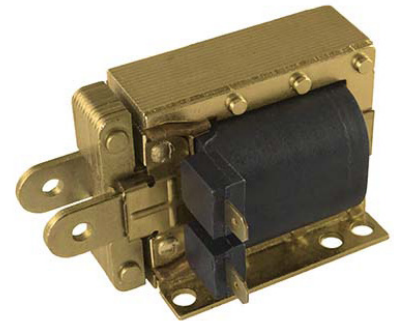
## Model 16



1425 Lake Avenue, Woodstock, IL 60098

### Features:

- High stroke force
- High holding force
- Brass plunger guide
- See model 16P for Push Model
- RoHS Compliant
- UL Recognized



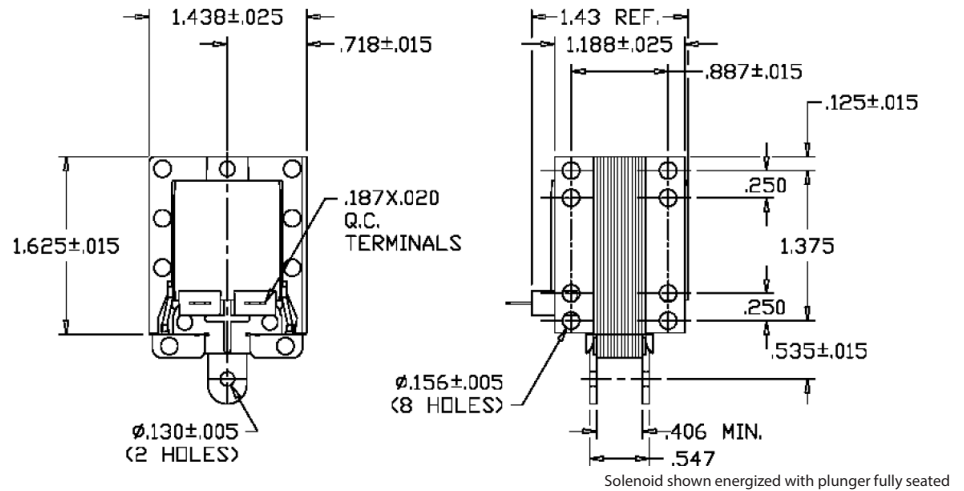
### Electrical:

- Coil Voltages: 120, 240 VAC standard
- Coil Termination: 3/16" Quick Connects
- Duty Cycle: 100% Continuous, 10% Intermittent
- Coil treatment: Encapsulated
- Insulation Class: Class A Rating - 105° C (221° F)
- Dielectric Strength: 1500V 60 Hz

### Mechanical:

- Size: 1.63" (L) x 1.18" (W) x 1.44" (H)
- Plunger Width: 0.42"
- Plunger Guide Material: Steel
- Mounting: 6 .208" holes
- Weight: Plunger 2 oz, Total 9 oz
- Life Expectancy: 250,000 Cycles<sup>1</sup>

<sup>1</sup> - Dependent on load conditions



### Standard Part Numbers

Model No.	Part No.	Duty Cycle	Voltage	Resistance <sup>2</sup> (Ω)	Power (VA)	Current
16-C-120A	A421-064142-01	Cont.	120VAC	85	20	167 mA
16-I-120A	A421-064142-02	Inter. 10%	120VAC	41	70	583 mA
16-C-240A	A421-064142-03	Cont.	240VAC	350	20	83 mA
16-I-240A	A421-064142-04	Inter. 10%	240VAC	200	70	292 mA

<sup>2</sup> - Coil resistance tolerance +/- 5%

Contact us for custom voltages or duty cycles

**†††**

**Available Customization:**

- Plunger Connection
- Coil Treatment
- Coil Terminations
- Insulation systems up to class H 180° C (356° F)

**\* Minimum quantities apply**

Stroke (in.)	Typical Pull Force Ounces [N] @ 20°C (68°F) (Distance from fully seated position)								HOLDING FORCE Ounces [N]
	0.125	0.250	0.375	0.500	0.625	0.750	1.000		
Continuous 100%	68 [18.9]	43 [12]	35 [8.3]	30 [8.3]	23 [6.4]	18 [5]	8 [2.2]	70 [19.5]	
Intermittent 10%	112 [31.1]	80 [22.2]	67 [18.6]	60 [16.7]	50 [13.9]	35 [9.7]	8 [2.2]	130 [36.1]	

Continuous Duty 100% = 100% On Time

Intermittent Duty 10% = 10% On Time (2.5 Minutes On Max Followed By 22.5 Minutes Off)



www.kelcoind.com

Information contained in this specification sheet subject to change without notice. Guardian Electric ©

