

# AC Laminated Solenoid

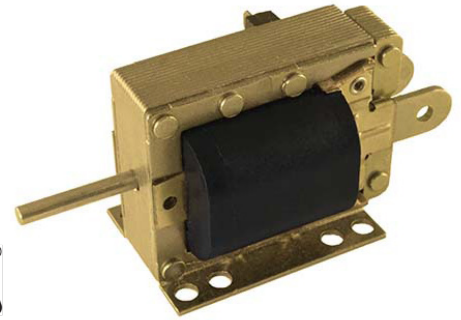
## Model 16P



1425 Lake Avenue, Woodstock, IL 60098

### Features:

- High stroke force
- High holding force
- Brass plunger guide
- See model 16 for Pull Model
- RoHS Compliant
- UL recognized



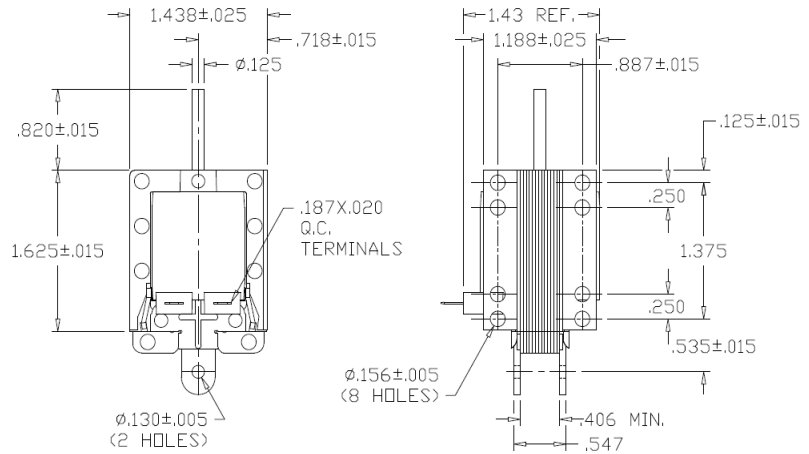
### Electrical:

- Coil Voltages: 120, 240 VAC standard
- Coil Termination: 3/16" Quick Connects
- Duty Cycle: 100% Continuous, 10% Intermittent
- Coil treatment: Encapsulated, Tape Wrapped
- Insulation Class: Class A Rating - 105° C (221° F)
- Dielectric Strength: 1500V 60 Hz

### Mechanical:

- Size: 1.63" (L) x 1.18" (W) x 1.44" (H)
- Plunger Width: 0.42"
- Plunger Guide Material: Steel
- Mounting: 6 .208" holes
- Weight: Plunger 2.5oz, Total 9.5 oz
- Life Expectancy: 250,000 Cycles<sup>1</sup>

<sup>1</sup> - Dependent on load conditions



Solenoid shown energized with plunger fully seated in extended position

### Standard Part Numbers

| Model No.  | Part No.       | Duty Cycle | Voltage | Resistance <sup>2</sup> ( $\Omega$ ) | Power (VA) | Current |
|------------|----------------|------------|---------|--------------------------------------|------------|---------|
| 16P-C-120A | A421-065146-00 | Cont.      | 120VAC  | 41                                   | 70         | 583 mA  |
| 16P-I-120A | A421-065147-00 | Inter. 10% | 120VAC  | 85                                   | 20         | 167 mA  |
| 16P-C-240A | A421-065148-00 | Cont.      | 240VAC  | 200                                  | 70         | 292 mA  |
| 16P-I-240A | A421-065149-00 | Inter. 10% | 240VAC  | 350                                  | 20         | 83 mA   |

<sup>2</sup> - Coil resistance tolerance +/- 5%

Contact us for custom voltages or duty cycles



### Available Customization:

- Plunger Connection
  - Coil Treatment
  - Coil Terminations
  - Insulation systems up to class H 180° C (356° F)
- \* Minimum quantities apply

| Stroke (in.)     | Typical Push Force Ounces [N] @ 20°C (68°F)<br>(Distance from fully extended position) |           |           |           |          |          |         | HOLDING FORCE Ounces [N] |
|------------------|--|-----------|-----------|-----------|----------|----------|---------|--------------------------|
|                  | 0.125  | 0.250     | 0.375     | 0.500     | 0.625    | 0.750    | 1.000   |                          |
| Continuous 100%  | 68 [18.9]  | 43 [12.0] | 35 [9.7]  | 30 [8.3]  | 23 [5.0] | 18 [5.0] | 8 [2.2] | 70 [19.5]                |
| Intermittent 10% | 112 [31.1]   | 80 [22.2] | 67 [55.6] | 60 [16.7] | 35 [9.7] | 35 [9.7] | 8 [2.2] | 130 [36.1]               |

Continuous Duty 100% = 100% On Time

Intermittent Duty 10% = 10% On Time (2.5 Minutes On Max Followed By 22.5 Minutes Off)



www.kelcoind.com

Information contained in this specification sheet subject to change without notice. Guardian Electric ©

