

AC Laminated Solenoid

Model 18



1425 Lake Avenue, Woodstock, IL 60098

Features:

- High stroke force
- High holding force
- Brass plunger guide
- See model 18P for Push Model
- RoHS Compliant
- UL Recognized

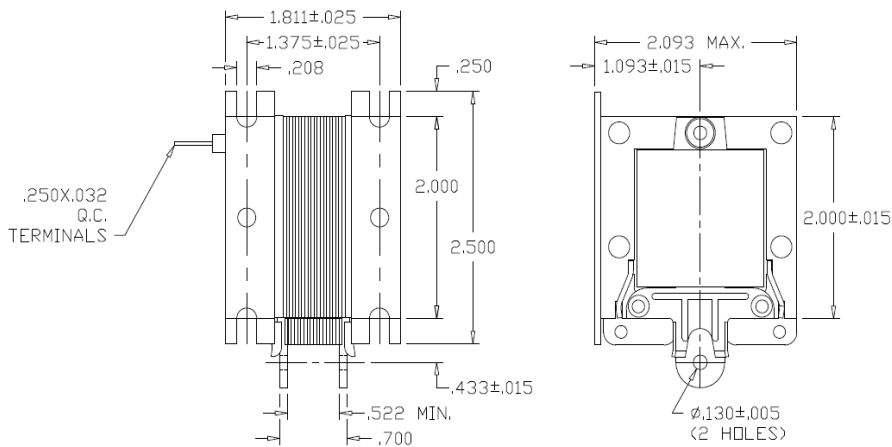
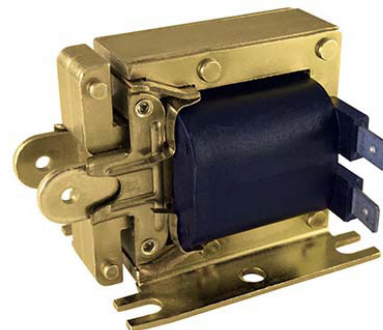
Electrical:

- Coil Voltages: 120, 240 VAC standard
- Coil Termination: 1/4" Quick Connects
- Duty Cycle: 100% Continuous, 10% Intermittent
- Coil treatment: Encapsulated, Tape Wrapped
- Insulation Class: Class A Rating - 105° C (221° F)
- Dielectric Strength: 1500V 60 Hz

Mechanical:

- Size: 2.5" (L) x 1.8" (W) x 2.1" (H)
- Plunger Width: 0.7"
- Plunger Guide Material: Steel
- Mounting: 6 0.208" holes
- Weight: Plunger 4.5 oz, Total 17 oz
- Life Expectancy: 250,000 Cycles¹

¹ - Dependent on load conditions



Solenoid shown energized with plunger fully seated

Standard Part Numbers

Model No.	Part No.	Duty Cycle	Voltage	Resistance ² (Ω)	Power (VA)	Current
18-C-120A	A421-062510-08	Cont.	120VAC	20.3	49	408 mA
18-I-120A	A421-062510-07	Inter. 10%	120VAC	8	228	1.9 A
18-C-240A	A421-062510-10	Cont.	240VAC	80.7	49	204 mA
18-I-240A	A421-062510-09	Inter. 10%	240VAC	46.9	228	950 mA-

² - Coil resistance tolerance +/- 5%

Contact us for custom voltages or duty cycles

+

Available Customization:

- Plunger Connection
- Coil Treatment
- Terminations
- Insulation systems up to class H 180° C (356° F)

*** Minimum quantities apply**

Stroke (in.)	Typical Pull Force Ounces [N] @ 20°C (68°F) (Distance from fully seated position)							HOLDING FORCE Ounces [N]
	0.125	0.250	0.375	0.500	0.625	0.750	1.000	
Continuous 100%	155 [43]	115 [32]	105 [29.2]	105 [29.2]	105 [29.2]	100 [27.8]	60 [16.7]	245 [68.1]
Intermittent 10%	336 [93.4]	240 [66.7]	200 [55.6]	195 [54.2]	200 [55.6]	195 [54.2]	144 [40]	430 [119.6]

Continuous Duty 100% = 100% On Time

Intermittent Duty 10% = 10% On Time (3 Minutes On Max Followed By 27 Minutes Off)



www.kelcoind.com

Information contained in this specification sheet subject to change without notice. Guardian Electric ©

