

DC Frame Solenoid

Model 28P



1425 Lake Avenue, Woodstock, IL 60098

Features:

- Push Solenoid
- AC & DC Applications (See Model 28P AC)
- RoHS Compliant
- UL Recognized
- Coil Termination: 3/16" QC terminals

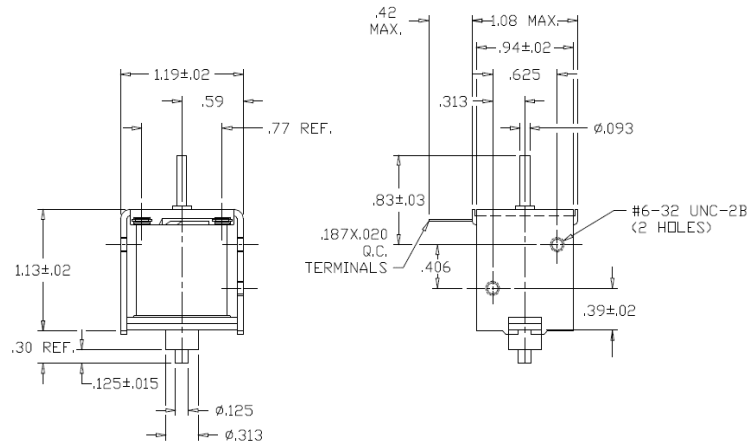
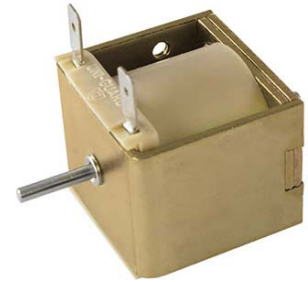
Electrical:

- Coil Voltages: 6, 12, 24, 48, 110VDC standard
- Duty Cycle: 100% Continuous, 25% Intermittent
- Coil treatment: Plastic cover
- Insulation Class: Class A Rating - 105° C (221° F)
- Dielectric Strength: 1500V 60 Hz

Mechanical:

- Size: 1.13" (L) x 1.19" (W) x 1.08" (H)
- Plunger Diameter: 0.093"
- Plunger Guide Material: Plastic
- Mounting: 2 - #6-32 holes
- Weight: Plunger 0.5 oz, Total 3.5 oz
- Life Expectancy: 1 Million Cycles¹

¹ - Dependent on load conditions



Solenoid shown energized with plunger fully seated in extended position

Standard Part Numbers

Model No.	Part No.	Duty Cycle	Voltage	Resistance ² (Ω)	Power (W)	Current
28P-C-12D	A420-065592-00	Cont.	12VDC	29.8	5.1	403 mA
28P-I-12D	A420-065593-00	Inter. 25%	12VDC	11.9	12.7	1.01 A
28P-C-24D	A420-065594-00	Cont.	24VDC	116	5.2	207 mA
28P-I-24D	A420-065595-00	Inter. 25%	24VDC	47.4	12.8	506 mA

² - Coil resistance tolerance +/- 5%

Contact us for custom voltages or duty cycles

Available Customization:

- Plunger
- DC Voltage / Duty Cycle
- Termination
- Insulation systems up to class H 180° C (356° F)

*** Minimum quantities apply**

Stroke (in.)	Typical Push Force Ounces [N] @ 20°C (68°F) (Distance from fully extended position)					HOLDING FORCE Ounces [N]
	0.050	0.125	0.250	0.375	0.500	
Continuous 100%	25 [7]	10 [2.8]	4 [1.1]	2 [1.7]	1 [0.3]	76 [21.1]
Intermittent 25%	32 [8.9]	12 [3.3]	7 [1.9]	4 [1.1]	2 [0.6]	92 [25.6]

Continuous Duty = 100% On Time
Intermittent Duty 25% = 25% On Time (100 Seconds On Max Followed By 300 Seconds Off)



www.kelcoind.com

Information contained in this specification sheet subject to change without notice. Guardian Electric ©

