

DC Latching Solenoid

Model 22L



1425 Lake Avenue, Woodstock, IL 60098

Features:

- Ideal for battery operation
- Fail safe in energized position
- RoHs Compliant
- UL Recognized
- Coil Termination: 3/16" QC terminals

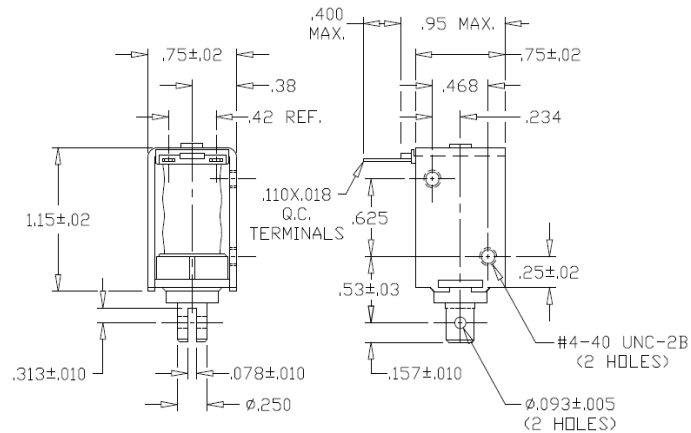
Electrical:

- Coil Voltages: 12, 24 VDC standard
- Duty Cycle: 100% Continuous
- Coil treatment: Tape Wrapped
- Insulation Class: Class A Rating - 105° C (221° F)
- Dielectric Strength: 1500V 60 Hz

Mechanical:

- Size: 1.15" (L) x 0.75" (W) x 0.75" (H)
- Plunger Diameter: 0.25"
- Plunger Guide Material: Plastic
- Mounting: 2 - #4-40 holes
- Weight: Plunger 0.3 oz, Total 1.7 oz
- Life Expectancy: 1 Million Cycles¹

¹ - Dependent on load conditions



Solenoid shown with plunger fully seated in latched position

Standard Part Numbers

Model No.	Part No.	Duty Cycle	Voltage	Resistance ² (Ω)	Power (W)	Current
22L-C-12D	A420-067879-00	Cont.	12VDC	30	5	400 mA
22L-C-24D	A420-067881-00	Cont.	24VDC	120	5	200 mA

² - Coil resistance tolerance +/- 5%

Contact us for custom voltages or duty cycles



Available Customization:

- Plunger/ Return Spring
 - DC Voltage / Duty Cycle
 - Termination
 - Insulation systems up to class H 180° C (356° F)
- * Minimum quantities apply

Stroke (in.)	Typical Push Force Ounces [N] @ 20°C (68°F) (Distance from fully seated, latched position)				HOLDING FORCE Ounces [N]
	0.050	0.125	0.250	0.375	
Continuous 100%	13 [3.6]	7 [1.9]	2 [0.6]	1 [0.3]	48 [13.3]

Continuous Duty 100% = 100% On Time



www.kelcoind.com

Information contained in this specification sheet subject to change without notice. Guardian Electric ©

