

LT Tubular Solenoid

Model LT4x16



1425 Lake Avenue, Woodstock, IL 60098

Features:

- Long life construction
- Plunger stop for quiet operation
- DC solenoid applications only
- RoHS Compliant
- UL Recognized
- Stainless steel guide tube
- Teflon coated plunger
- Coil Termination: 6.5" Wire leads
- 26 AWG (standard)

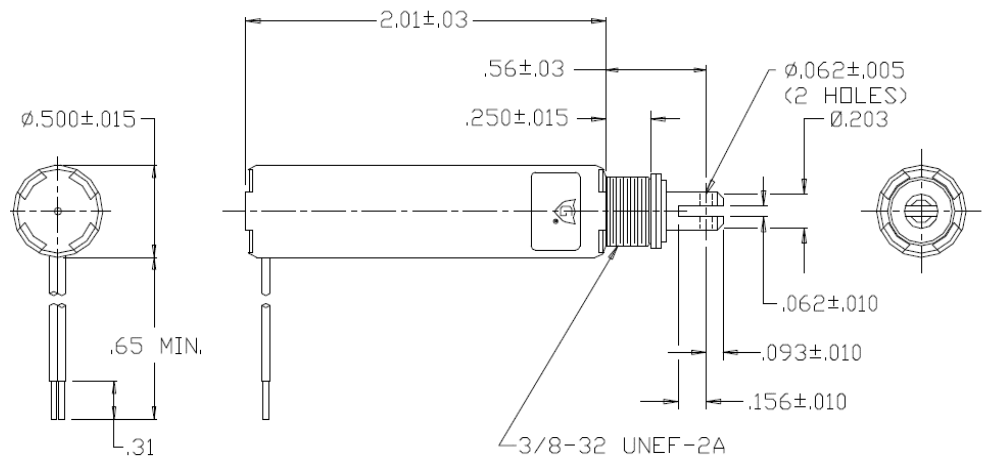


Electrical:

- Coil Voltages: 6, 12, 24, 48, 110VDC standard
- Duty Cycle: 100% Continuous, 25% Intermittent, 10% Intermittent, 1% Pulse
- Coil treatment: Tape Wrapped
- Insulation Class: Class A Rating - 105°C (221°F)
- Dielectric Strength: 1500V 60 Hz

Mechanical:

- Size: 2" (L) x 0.5" (D)
- Plunger Diameter: 0.203"
- Plunger Guide Material: Stainless Steel
- Mounting: Hex Nut
- Weight: Plunger 0.3 oz, Total 1.4 oz
- Life Expectancy: 10 Million Cycles¹



Solenoid shown energized with plunger fully seated
Supplied with mounting bracket, hex nut and lock washer shipped loose

Standard Part Numbers

Model No.	Part No.	Duty Cycle	Voltage	Resistance ² (Ω)	Power (W)	Current
LT4x16-C-12D	A420-064826-00	Cont.	12VDC	42.5	3.6	282 mA
LT4x16-I-12D	A420-064827-00	Inter.	12VDC	14	10.8	857 mA
LT4x16-C-24D	A420-064828-00	Cont.	24VDC	168	3.6	143 mA
LT4x16-I-24D	A420-064829-00	Inter.	24VDC	69.1	8.8	347 mA

² - Coil resistance tolerance +/- 5%

Contact us for custom voltages or duty cycles

Available Customization:

- Plunger
 - Lead and Connector
 - DC Voltage / Duty Cycle
 - Termination
 - Insulation systems up to class H 180° C (356° F)
- * Minimum quantities apply

Stroke (in.)	Typical Pull Force Ounces [N] @ 20°C (68°F) (Distance from fully seated position)							HOLDING FORCE Ounces [N]	Power (W)
	0.050	0.125	0.250	0.375	0.500	0.625	0.750		
Continuous 100%	8 [2.2]	3 [0.8]	1 [0.3]	0.5 [0.1]	N/A	N/A	N/A	13 [3.6]	3.6
Intermittent 25%	14 [3.9]	7 [1.9]	3 [0.8]	1.5 [0.4]	N/A	N/A	N/A	17 [4.7]	9.5
Intermittent 10% ³	20 [5.6]	12 [3.3]	6 [1.7]	4.5 [1.3]	3.5 [1.]	2 [0.6]	N/A	29 [8.1]	27.4
Pulse 1% ³	38 [10.6]	18 [5.]	11 [3.1]	7.5 [2.1]	4.5 [1.3]	3 [0.8]	1 [0.3]	N/A	65.5

Continuous Duty 100% = 100% On Time
Intermittent Duty 25% = 25% On Time (100 Seconds On Max Followed By 300 Seconds Off)
Intermittent Duty 10% = 90% On Time (10 Seconds On Max Followed By 90 Seconds Off)
Pulse Duty 1% = 99% On Time (1 Second On Max Followed By 99 Seconds Off)

³ - Calculated force values to be verified in application

Optional Return Spring Kit

A490-367460-23



www.kelcoind.com

Information contained in this specification sheet subject to change without notice. Guardian Electric ©

