

LT Tubular Solenoid

Model LT4x7



1425 Lake Avenue, Woodstock, IL 60098

Features:

- Long life construction
- Plunger stop for quiet operation
- DC solenoid applications only
- RoHS Compliant
- UL Recognized
- Stainless steel guide tube
- Teflon coated plunger
- Coil Termination: 6.5" Wire leads
- 26 AWG (standard)

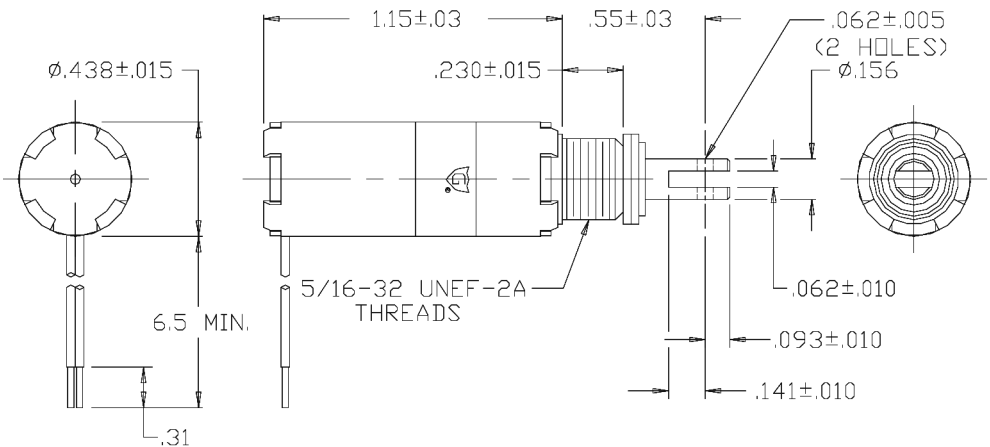


Electrical:

- Coil Voltages: 6, 12, 24, 48, 110VDC standard
- Duty Cycle: 100% Continuous, 25% Intermittent, 10% Intermittent, 1% Pulse
- Coil treatment: Tape Wrapped
- Insulation Class: Class A Rating - 105°C (221°F)
- Dielectric Strength: 1500V 60 Hz

Mechanical:

- Size: 0.89" (L) x 0.5" (D)
- Plunger Diameter: 0.203"
- Plunger Guide Material: Stainless Steel
- Mounting: Hex Nut
- Weight: Plunger 0.1 oz, Total 0.7 oz
- Life Expectancy: 10 Million Cycles¹



Standard Part Numbers

Model No.	Part No.	Duty Cycle	Voltage	Resistance ² (Ω)	Power (W)	Current
LT4x7-C-12D	A420-064810-00	Cont.	12VDC	63.3	2.4	190 mA
LT4x7-I-12D	A420-064811-00	Inter.	12VDC	32.5	4.7	369 mA
LT4x7-C-24D	A420-064812-00	Cont.	24VDC	264	2.3	91 mA
LT4x7-I-24D	A420-064813-00	Inter.	24VDC	121	5	198 mA

² - Coil resistance tolerance +/- 5%

Contact us for custom voltages or duty cycles

Solenoid shown energized with plunger fully seated
Supplied with mounting bracket, hex nut and lock washer shipped loose

Available Customization:

- Plunger
 - Lead and Connector
 - DC Voltage / Duty Cycle
 - Termination
 - Insulation systems up to class H 180° C (356° F)
- * Minimum quantities apply

Stroke (in.)	Typical Pull Force Ounces [N] @ 20°C (68°F) (Distance from fully seated position)				HOLDING FORCE Ounces [N]	Power (W)
	0.050	0.125	0.250	0.375		
Continuous 100%	3.5 [1]	2 [0.6]	0.5 [0.1]	N/A	3 [0.8]	2.4
Intermittent 25%	6 [1.7]	3 [0.8]	1 [0.3]	N/A	9 [2.5]	4.9
Intermittent 10% ³	15 [4.2]	7 [1.9]	1 [0.3]	N/A	16 [4.4]	14.4
Pulse 1% ³	32 [8.9]	18 [5]	4 [1.1]	0.5 [0.1]	N/A	56.6

Continuous Duty 100% = 100% On Time
Intermittent Duty 25% = 25% On Time (100 Seconds On Max Followed By 300 Seconds Off)
Intermittent Duty 10% = 90% On Time (10 Seconds On Max Followed By 90 Seconds Off)
Pulse Duty 1% = 99% On Time (1 Second On Max Followed By 99 Seconds Off)

³ - Calculated force values to be verified in application

Optional Return Spring Kit

A490-367460-25



www.kelcoind.com

Information contained in this specification sheet subject to change without notice. Guardian Electric ©

