

DC Tubular Push Solenoid

Model TP3.5x9



1425 Lake Avenue, Woodstock, IL 60098

Features:

- High performance construction
- Available return spring kit
- DC applications only
- See T3.5x9 for pull applications
- RoHS Compliant
- UL Recognized
- Coil Termination: 6.5" Wire leads
28 AWG (standard)



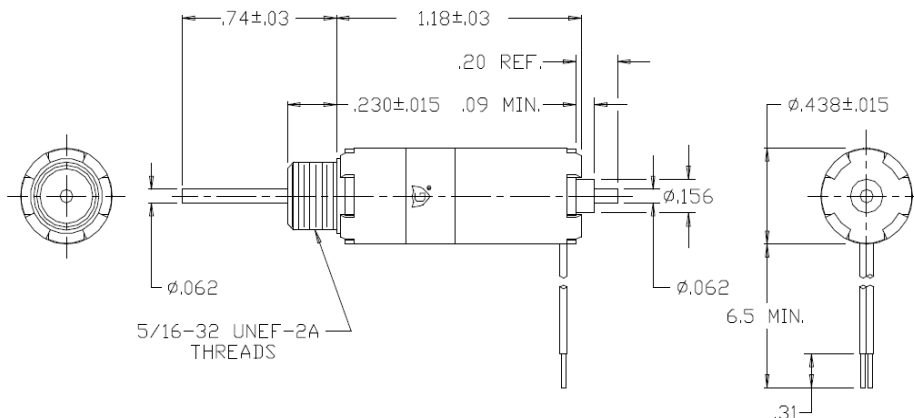
Electrical:

- Coil Voltages: 6, 12, 24, 48, 110VDC standard
- Duty Cycle: 100% Continuous, 25% Intermittent,
10% Intermittent, 1% Pulse
- Coil treatment: Tape Wrapped
- Insulation Class: Class A Rating - 105° C (221° F)
- Dielectric Strength: 1500V 60 Hz

Mechanical:

- Size: 1.18" (L) x 0.44" (D)
- Plunger Diameter: 0.062"
- Plunger Guide Material: Plastic
- Mounting: Hex Nut
- Weight: Plunger 0.1 oz, Total 0.6 oz
- Life Expectancy: 1 Million Cycles¹

¹ - Dependent on load conditions



Solenoid shown energized with plunger fully seated in extended position
Supplied with mounting bracket, hex nut and lock washer shipped loose

Standard Part Numbers

Model	Part Number	Duty Cycle	Voltage	Resistance ² (Ω)	Power (W)	Current
TP3.5x9-C-12	A420-063496-05	Cont.	12VDC	60.2	2.5	199 mA
TP3.5x9-I-12	A420-063496-02	Inter.	12VDC	31.1	4.9	386 mA
TP3.5x9-C-24	A420-063496-06	Cont.	24VDC	254	2.4	94 mA
TP3.5x9-I-24	A420-063496-04	Inter.	24VDC	122	5	197 mA

² - Coil resistance tolerance +/- 5%

Contact us for custom voltages or duty cycles

Available Customization:

- Plunger
- Lead and Connector
- DC Voltage / Duty Cycle
- Termination
- Insulation systems up to class H 180° C (356° F)
* Minimum quantities apply

Stroke (in.)	Typical Push Force Ounces [N] @ 20°C (68°F) (Distance from fully extended position)				HOLDING FORCE Ounces [N]	Power (W)
	0.050	0.125	0.250	0.375		
Continuous 100%	3 [0.8]	1 [0.3]	0.5 [0.1]	N/A	15 [4.2]	2.5
Intermittent 25%	5 [1.4]	2 [0.6]	1 [0.3]	N/A	17 [4.7]	5
Intermittent 10% ³	8 [2.2]	3 [0.8]	1.5 [0.4]	N/A	31 [8.6]	15.2
Pulse 1% ³	10.5 [2.9]	5.5 [1.5]	4 [1.1]	1 [0.3]	N/A	44

Continuous Duty = 100% On Time
Intermittent Duty 25% = 25% On Time (100 Seconds On Max Followed By 300 Seconds Off)
Intermittent Duty 10% = 90% On Time (10 Seconds On Max Followed By 90 Seconds Off)
Pulse Duty 1% = 99% On Time (1 Second On Max Followed By 99 Seconds Off)

³ - Calculated force values to be verified in application

Optional Return
Spring Kit

A490-367460-17



www.kelcoind.com

Information contained in this specification sheet subject to change without notice. Guardian Electric ©

