

DC Tubular Push Solenoid

Model TP4x7



1425 Lake Avenue, Woodstock, IL 60098

Features:

- High performance construction
- Available return spring kit
- DC applications only
- See T4x7 for pull applications
- RoHS Compliant
- UL recognized
- Coil Termination: 6.5" Wire leads
- 26 AWG (standard)



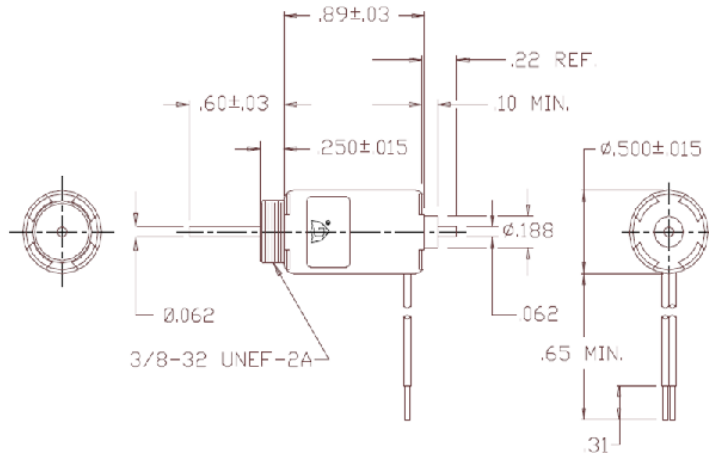
Electrical:

- Coil Voltages: 6, 12, 24, 48, 110 VDC standard
- Duty Cycle: 100% Continuous, 25% Intermittent, 10% Intermittent, 1% Pulse
- Coil treatment: Tape Wrapped
- Insulation Class: Class A Rating - 105° C (221° F)
- Dielectric Strength: 1500V 60 Hz

Mechanical:

- Size: 0.9" (L) x 0.5" (D)
- Plunger Diameter: 0.062"
- Plunger Guide Material: Plastic
- Mounting: Hex Nut
- Weight: Plunger 0.1 oz, Total 0.6 oz
- Life Expectancy: 1 Million Cycles¹

¹ - Dependent on load conditions



Solenoid shown energized with plunger fully seated in extended position
Supplied with mounting bracket, hex nut and lock washer shipped loose

Standard Part Numbers

Model	Part Number	Duty Cycle	Voltage	Resistance ² (Ω)	Power (W)	Current
TP4x7-C-12	A420-066067-00	Cont.	12VDC	62.5	2.4	192 mA
TP4x7-I-12	A420-066065-00	Inter.	12VDC	32.3	4.5	372 mA
TP4x7-C-24	A420-066069-00	Cont.	24VDC	270	2.2	89 mA
TP4x7-I-24	A420-066070-00	Inter.	24VDC	131	4.6	183 mA

² - Coil resistance tolerance +/- 5%

Contact us for custom voltages or duty cycles

Available Customization:

- Plunger
 - Lead and Connector
 - DC Voltage / Duty Cycle
 - Termination
 - Insulation systems up to class H 180° C (356° F)
- * Minimum quantities apply

Stroke (in.)	Typical Push Force Ounces [N] @ 20°C (68°F) (Distance from fully extended position)					HOLDING FORCE Ounces [N]	Power (W)
	0.050	0.125	0.250	0.375	0.500		
Continuous 100%	3 [0.8]	1 [0.3]	0.5 [0.1]	N/A	N/A	16 [4.4]	2.4
Intermittent 25%	6 [1.7]	2 [0.6]	1 [0.3]	N/A	N/A	20 [5.6]	4.5
Intermittent 10% ³	11.5 [3.2]	6 [1.7]	2.5 [0.7]	0.5 [0.1]	N/A	37 [10.3]	14.3
Pulse 1% ³	21 [5.8]	15 [4.2]	8.5 [2.4]	3.5 [1]	1 [0.3]	N/A	56

Continuous Duty 100% = 100% On Time
Intermittent Duty 25% = 25% On Time (100 Seconds On Max Followed By 300 Seconds Off)
Intermittent Duty 10% = 10% On Time (10 Seconds On Max Followed By 90 Seconds Off)
Pulse Duty 1% = 1% On Time (1 Second On Max Followed By 99 Seconds Off)

³ - Calculated force values to be verified in application

Optional Return Spring Kit

A490-367460-16



www.kelcoind.com

Information contained in this specification sheet subject to change without notice. Guardian Electric ©

