

DC Tubular Solenoid

Model T4x16



1425 Lake Avenue, Woodstock, IL 60098

Features:

- High performance construction
- Available return spring kit
- DC solenoid applications only
- See TP4x16 for push application
- RoHS Compliant
- UL recognized
- Coil Termination: 6.5" Wire leads
26 AWG (standard)



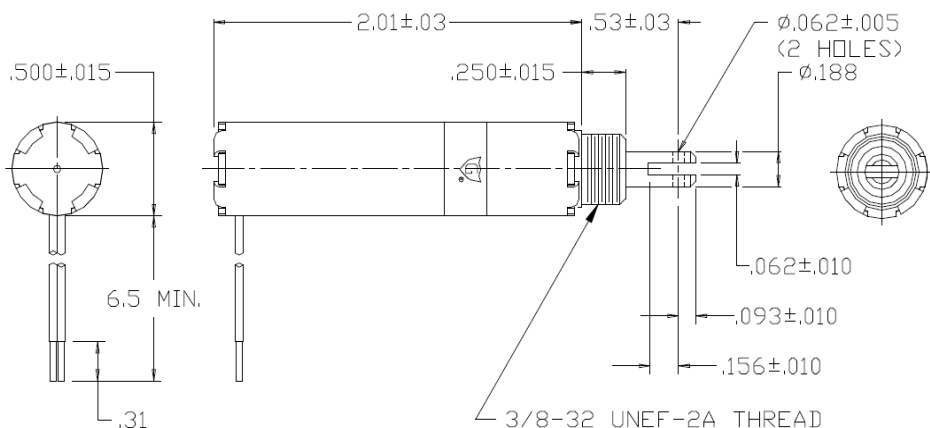
Electrical:

- Coil Voltages: 6, 12, 24, 48, 110 VDC standard
- Duty Cycle: 100% Continuous, 25% Intermittent, 10% Intermittent, 1% Pulse
- Coil treatment: Tape Wrapped
- Insulation Class: Class A Rating - 105°C (221°F)
- Dielectric Strength: 1500V 60 Hz

Mechanical:

- Size: 2" (L) x 0.5" (D)
- Plunger Diameter: 0.187
- Plunger Guide Material: Plastic
- Mounting: Hex Nut
- Weight: Plunger 0.4 oz, Total 1.4 oz
- Life Expectancy: 1 Million Cycles¹

¹ - Dependent on load conditions



Solenoid shown energized with plunger fully seated
Supplied with mounting bracket, hex nut and lock washer shipped loose

Standard Part Numbers

Model	Part Number	Duty Cycle	Voltage	Resistance ² (Ω)	Power (W)	Current (mA)
T4X16-C-12D	A420-066019-00	Cont.	12VDC	45.1	3.4	266 mA
T4X16-I-12D	A420-066020-00	Inter.	12VDC	17.7	8.5	678 mA
T4X16-C-24D	A420-066021-00	Cont.	24VDC	173	3.5	139 mA
T4X16-I-24D	A420-066022-00	Inter.	24VDC	72.7	8.3	330 mA

² - Coil resistance tolerance +/- 5%

Contact us for custom voltages or duty cycles

Available Customization:

- Plunger
 - Lead and Connector
 - DC Voltage / Duty Cycle
 - Termination
 - Insulation systems up to class H 180° C (356° F)
- * Minimum quantities apply

Stroke (in.)	Typical Pull Force Ounces [N] @ 20°C (68°F) (Distance from fully seated position)								HOLDING FORCE Ounces [N]	Power (W)
	0.050	0.125	0.250	0.375	0.500	0.625	0.750			
Continuous 100%	5 [1.4]	3 [0.8]	1 [0.3]	NA	N/A	N/A	N/A	23 [6.4]	2.4	
Intermittent 25%	8 [2.2]	4 [1.1]	2 [0.6]	NA	N/A	N/A	N/A	28 [7.8]	4.7	
Intermittent 10% ³	13.5 [3.8]	7.5 [2.1]	4.5 [1.3]	3.5 [1]	2 [0.6]	0.5 [0.1]	N/A	44 [12.2]	24	
Pulse 1% ³	22.5 [6.3]	13.5 [3.8]	8.5 [2.4]	6.5 [1.8]	4 [1.1]	2 [0.6]	0.5 [0.1]	N/A	78	

Continuous Duty 100% = 100% On Time
Intermittent Duty 25% = 25% On Time (100 Sec On Max 300 Sec off)
Intermittent Duty 10% = 90% On Time (10 Sec On Max 90 Sec off)
Pulse Duty 1% = 99% On Time (1 Sec On Max 99 Sec off)

³ - Calculated force values to be verified in application

Optional Return Spring Kit
A490-367460-05



www.kelcoind.com

Information contained in this specification sheet subject to change without notice. Guardian Electric ©

