

# DC Tubular Solenoid

## Model T6x12



1425 Lake Avenue, Woodstock, IL 60098

### Features:

- High performance construction
- Available return spring kit
- DC solenoid applications only
- See TP6x12 for push application
- RoHS Compliant
- UL Recognized
- Coil Termination: 6.5" Wire leads
- 26 AWG (standard)



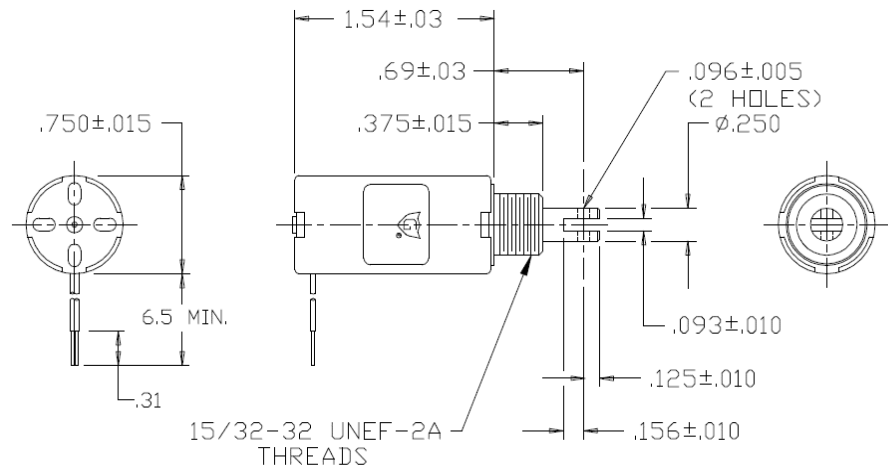
### Electrical:

- Coil Voltages: 6, 12, 24, 48, 110VDC standard
- Duty Cycle: 100% Continuous, 25% Intermittent, 10% Intermittent, 1% Pulse
- Coil treatment: Tape Wrapped
- Insulation Class: Class A Rating - 105°C (221°F)
- Dielectric Strength: 1500V 60 Hz

### Mechanical:

- Size: 1.5" (L) x 0.75" (D)
- Plunger Diameter: 0.25"
- Plunger Guide Material: Plastic
- Mounting: Hex Nut
- Weight: Plunger 0.4 oz, Total 2.3 oz
- Life Expectancy: 1 Million Cycles<sup>1</sup>

<sup>1</sup> - Dependent on load conditions



Solenoid shown energized with plunger fully seated  
Supplied with mounting bracket, hex nut and lock washer shipped loose

### Standard Part Numbers

Model	Part Number	Duty Cycle	Voltage	Resistance <sup>2</sup> (Ω)	Power (W)	Current
T6X12-C-12D	A420-066027-00	Cont.	12VDC	31.7	4.8	379 mA
T6X12-I-12D	A420-066028-00	Inter.	12VDC	12.1	12.5	992 mA
T6X12-C-24D	A420-066029-00	Cont.	24VDC	121	5	198 mA
T6X12-I-24D	A420-066030-00	Inter.	24VDC	60.6	10	396 mA

<sup>2</sup> - Coil resistance tolerance +/- 5%

Contact us for custom voltages or duty cycles

### Available Customization:

- Plunger
  - Lead and Connector
  - DC Voltage / Duty Cycle
  - Termination
  - Insulation systems up to class H 180° C (356° F)
- \* Minimum quantities apply

Stroke (in.)	Typical Pull Force Ounces [N] @ 20°C (68°F) (Distance from fully seated position)						HOLDING FORCE Ounces [N]	Power (W)
	0.050	0.125	0.250	0.375	0.500	0.625		
Continuous 100%	17 [4.7]	9 [2.5]	5 [1.4]	2 [0.6]	N/A	N/A	48 [13.3]	5
Intermittent 25%	24 [6.7]	13 [3.6]	9 [2.5]	6 [1.7]	N/A	N/A	53 [14.7]	11
Intermittent 10% <sup>3</sup>	35 [9.7]	23.5 [6.5]	16 [4.4]	12 [3.3]	9.5 [2.6]	4.5 [1.3]	104 [28.9]	62
Pulse 1% <sup>3</sup>	45 [12.5]	34 [9.5]	25 [7]	18 [5]	13 [3.6]	10 [2.8]	N/A	198

Continuous Duty 100% = 100% On Time  
Intermittent Duty 25% = 25% On Time (100 Sec On Max 300 Sec off)  
Intermittent Duty 10% = 90% On Time (10 Sec On Max 90 Sec off)  
Pulse Duty 1% = 99% On Time (1 Sec On Max 99 Sec off)

<sup>3</sup> - Calculated force values to be verified in application

Optional Return Spring Kit

A490-367460-04



www.kelcoind.com

Information contained in this specification sheet subject to change without notice. Guardian Electric ©

