



HVAC Products

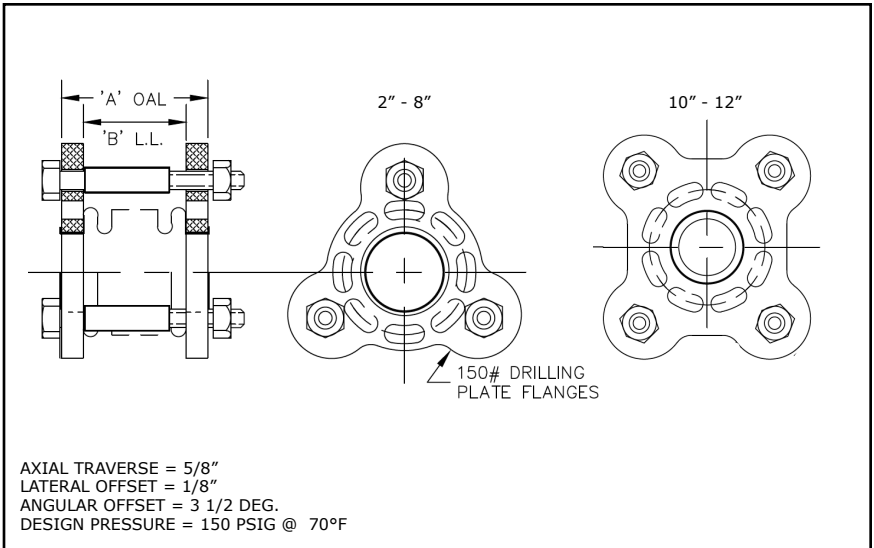
# SUBMITTAL

Mar 2018

## 150 SERIES PUMP CONNECTOR W/150# VAN STONE FLANGES & TIE RODS

PROJECT:	
CUSTOMER:	
ENGINEER:	
ARCHITECT:	

MATERIALS OF CONSTRUCTION	
BELLOWS:	T-304 STN STL
FLANGES:	CARBON STEEL
BOLT/NUT & SLEEVE:	CARBON STEEL



QTY	ID # OR TAG #	DIA (IN)	KEFLEX PART #	'B' LL	'A' OAL	3D Model (.stp)
		2"	F020150TR2115	3 1/2"	5"	
		2 1/2"	F024150TR2115	3 1/2"	5"	
		3"	F030150TR2115	3 1/2"	5"	
		4"	F040150TR2115	3 1/2"	5"	
		5"	F050150TR2115	3 1/2"	5"	
		6"	F060150TR2115	3 1/2"	5"	
		8"	F080150TR2115	3 1/2"	5"	
		10"	F100150TR2115	3 1/2"	5"	
		12"	F120150TR2115	3 1/2"	5"	

IMPORTANT LINKS	
BROCHURE:	
INSTALLATION INSTRUCTIONS:	
TECHNICAL DATA:	
WEBSITE:	<a href="http://FLEX-WELD.COM">FLEX-WELD.COM</a>



MADE IN THE USA

**1425 LAKE AVE  
 WOODSTOCK, IL 60098  
 800-323-6893**