



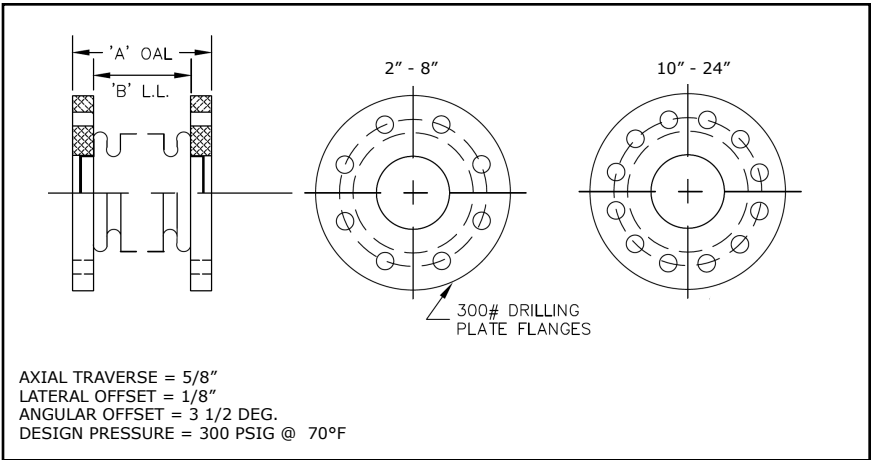
HVAC Products

SUBMITTAL

Mar 2018

301 SERIES PUMP CONNECTOR W/300# PLATE FLANGES

PROJECT:	
CUSTOMER:	
ENGINEER:	
ARCHITECT:	



MATERIALS OF CONSTRUCTION	
BELLOWS:	T-304 STN STL
FLANGES:	CARBON STEEL

QTY	ID # OR TAG #	DIA (IN)	KEFLEX PART #	'B' LL	'A' OAL	3D Model (.stp)
		2"	F0203011230	3 1/2"	5 1/2"	
		2 1/2"	F0243011230	3 1/2"	5 1/2"	
		3"	F0303011230	3 1/2"	5 1/2"	
		4"	F0403011230	3 1/2"	5 1/2"	
		5"	F0503011230	3 1/2"	5 1/2"	
		6"	F0603011230	3 1/2"	5 1/2"	
		8"	F0803011230	3 1/2"	5 1/2"	
		10"	F1003011230	3 1/2"	5 1/2"	
		12"	F1203011230	3 1/2"	5 1/2"	
		14"	F1403011230	7"	9 1/2"	
		16"	F1603011230	7"	9 1/2"	
		18"	F1803011230	7"	9 1/2"	
		20"	F2003011230	7"	9 1/2"	
		24"	F2403011230	7"	9 1/2"	

IMPORTANT LINKS			
BROCHURE:		TECHNICAL DATA:	
INSTALLATION INSTRUCTIONS:		WEBSITE:	FLEX-WELD.COM



MADE IN THE USA

**1425 LAKE AVE
 WOODSTOCK, IL 60098
 800-323-6893**