



HVAC Products

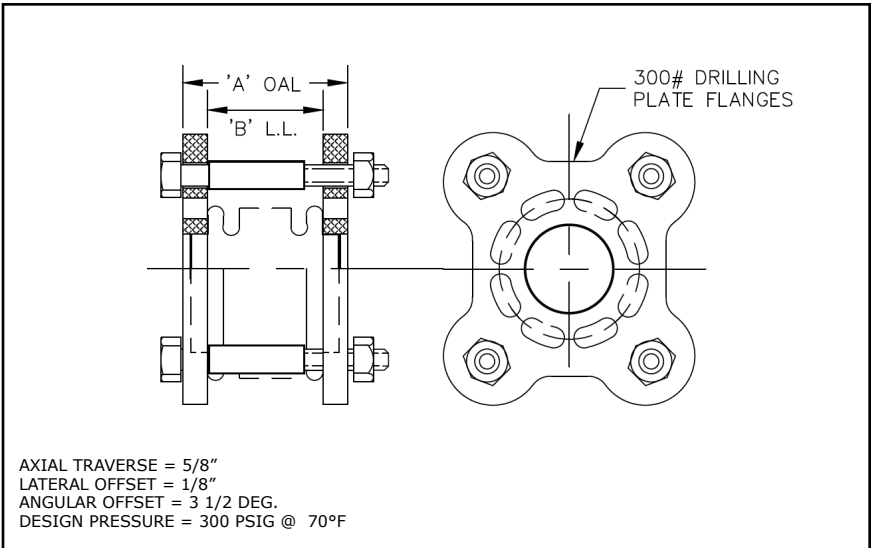
SUBMITTAL

Mar 2018

3012 SERIES PUMP CONNECTOR W/300# PLATE FLANGES & TIE RODS

PROJECT:	
CUSTOMER:	
ENGINEER:	
ARCHITECT:	

MATERIALS OF CONSTRUCTION	
BELLOWS:	T-304 STN STL
FLANGES:	CARBON STEEL



QTY	ID # OR TAG #	DIA (IN)	KEFLEX PART #	'B' LL	'A' OAL	3D Model (.stp)
		2"	F0203012TR1230	4"	6"	
		2 1/2"	F0243012TR1230	4"	6"	
		3"	F0303012TR1230	4"	6"	
		4"	F0403012TR1230	4"	6"	
		5"	F0503012TR1230	4"	6"	
		6"	F0603012TR1230	4"	6"	
		8"	F0803012TR1230	4"	6"	
		10"	F1003012TR1230	6"	8"	
		12"	F1203012TR1230	6"	8"	

IMPORTANT LINKS	
BROCHURE:	
INSTALLATION INSTRUCTIONS:	
TECHNICAL DATA:	
WEBSITE:	FLEX-WELD.COM



MADE IN THE USA

1425 LAKE AVE
 WOODSTOCK, IL 60098
 800-323-6893