



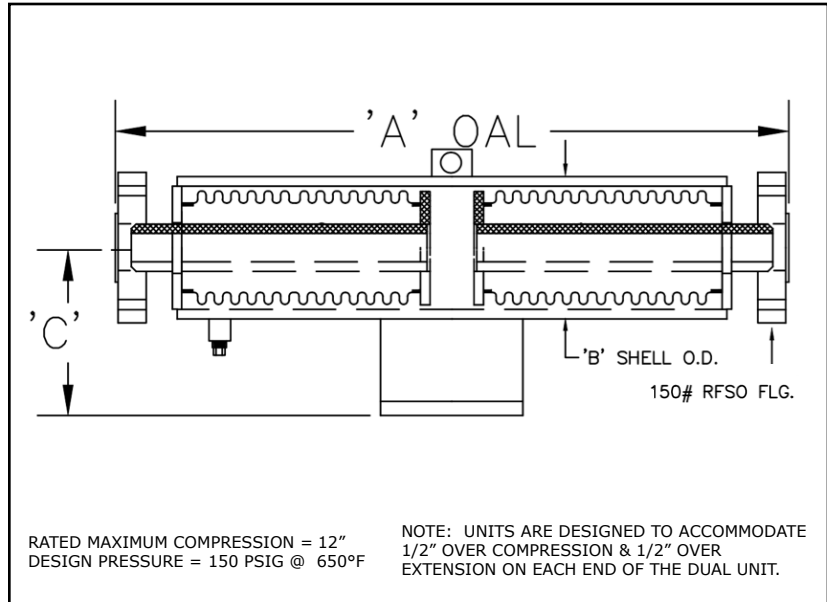
HVAC Products

# SUBMITTAL

Mar 2018

DUAL EXTERNALLY PRESSURIZED EXPANSION JOINT 150# 12" COMPRESSION W/150# RFSO FLG

PROJECT:	
CUSTOMER:	
ENGINEER:	
ARCHITECT:	



MATERIALS OF CONSTRUCTION	
BELLOW:	300 SERIES STAINLESS STEEL
PIPE:	CARBON STEEL SCH. STD.
PLATES:	CARBON STEEL
FLANGE:	CARBON STEEL

QTY	ID # OR TAG #	DIAMETER (IN)	KEFLEX PART #	PRESSURE THRUST @ DESIGN PRES.	'A' OAL	'B' SHELL O.D.	'C' C/L	SPRING RATE (LB/IN)	3D Model (.stp)
		1"	F010DEP04M15M	1200 LBF	49 3/4"	4 1/2"	4"	25	
		1 1/4"	F012DEP04M15M	1200 LBF	50 1/4"	4 1/2"	4"	25	
		1 1/2"	F014DEP04M15M	1200 LBF	50 1/4"	4 1/2"	4"	25	
		2"	F020DEP04M15M	1200 LBF	51 1/4"	4 1/2"	4 1/2"	25	
		2 1/2"	F024DEP21M15M	3000 LBF	57"	6 5/8"	4 1/2"	100	
		3"	F030DEP21M15M	3000 LBF	57"	6 5/8"	5"	100	
		3 1/2"	F034DEP21M15M	3000 LBF	57"	6 5/8"	6 1/4"	100	
		4"	F040DEP21M15M	4500 LBF	57 1/2"	8 5/8"	6 1/4"	105	
		5"	F050DEP21M15M	10100 LBF	60"	10 3/4"	7 1/2"	225	
		6"	F060DEP21M15M	10100 LBF	60"	10 3/4"	7 1/2"	225	
		8"	F080DEP21M15M	12250 LBF	53 3/4"	12 3/4"	8 1/2"	320	
		10"	F100DEP21M15M	18300 LBF	53 3/4"	16"	10 1/4"	350	
		12"	F120DEP21M15M	25200 LBF	53 3/4"	18"	11 1/4"	650	

IMPORTANT LINKS	
BROCHURE:	
INSTALLATION INSTRUCTIONS:	
WEBSITE:	<a href="http://FLEX-WELD.COM">FLEX-WELD.COM</a>



MADE IN THE USA

1425 LAKE AVE  
WOODSTOCK, IL 60098  
800-323-6893