



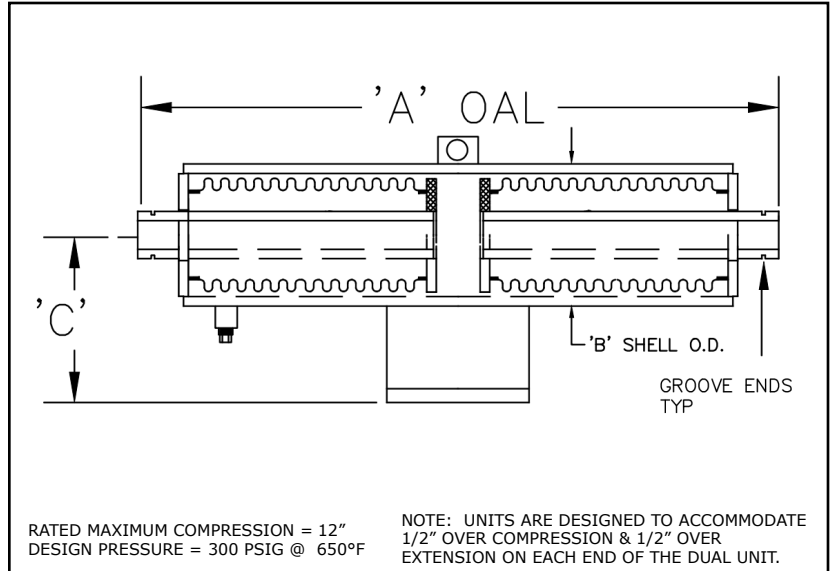
HVAC Products

SUBMITTAL

Mar 2018

DUAL EXTERNALLY PRESSURIZED EXPANSION JOINT 300# 12" COMPRESSION W/GROOVE ENDS

PROJECT:	
CUSTOMER:	
ENGINEER:	
ARCHITECT:	



MATERIALS OF CONSTRUCTION	
BELLOW:	T-321 STAINLESS STEEL
PIPE:	CARBON STEEL SCH. STD.
PLATES:	CARBON STEEL

QTY	ID # OR TAG #	DIAMETER (IN)	KEFLEX PART #	PRESSURE THRUST @ DESIGN PRES.	'A' OAL	'B' SHELL O.D.	'C' C/L	SPRING RATE (LB/IN)	3D Model (.stp)
		1"	F010DEP21HVGM	2400 LBF	51 1/4"	4 1/2"	4"	40	
		1 1/4"	F012DEP21HVGM	2400 LBF	51 3/4"	4 1/2"	4"	40	
		1 1/2"	F014DEP21HVGM	2400 LBF	51 3/4"	4 1/2"	4"	40	
		2"	F020DEP21HVGM	2400 LBF	52 3/4"	4 1/2"	4 1/2"	40	
		2 1/2"	F024DEP21HVGM	6100 LBF	58 1/2"	6 5/8"	4 1/2"	150	
		3"	F030DEP21HVGM	6100 LBF	58 1/2"	6 5/8"	5"	150	
		3 1/2"	F034DEP21HVGM	6100 LBF	58 1/2"	6 5/8"	6 1/4"	150	
		4"	F040DEP21HVGM	9000 LBF	59"	8 5/8"	6 1/4"	150	
		5"	F050DEP21HVGM	20500 LBF	61 1/2"	10 3/4"	7 1/2"	350	
		6"	F060DEP21HVGM	20500 LBF	61 1/2"	10 3/4"	7 1/2"	350	
		8"	F080DEP21HVGM	24500 LBF	55 1/4"	12 3/4"	8 1/2"	450	
		10"	F100DEP21HVGM	36700 LBF	55 1/4"	16"	10 1/4"	650	
		12"	F120DEP21HVGM	50500 LBF	55 1/4"	18"	11 1/4"	950	

IMPORTANT LINKS	
BROCHURE:	
INSTALLATION INSTRUCTIONS:	
WEBSITE:	FLEX-WELD.COM



MADE IN THE USA

**1425 LAKE AVE
WOODSTOCK, IL 60098
800-323-6893**