



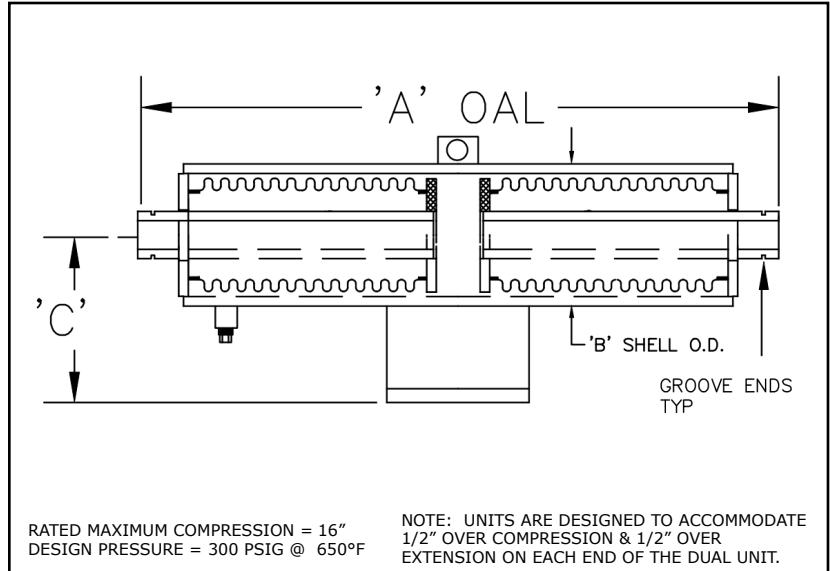
HVAC Products

# SUBMITTAL

Mar 2018

DUAL EXTERNALLY PRESSURIZED EXPANSION JOINT 300# 16" COMPRESSION W/GROOVE ENDS

|            |  |
|------------|--|
| PROJECT:   |  |
| CUSTOMER:  |  |
| ENGINEER:  |  |
| ARCHITECT: |  |



| MATERIALS OF CONSTRUCTION |                        |
|---------------------------|------------------------|
| BELLOW:                   | T-321 STAINLESS STEEL  |
| PIPE:                     | CARBON STEEL SCH. STD. |
| PLATES:                   | CARBON STEEL           |

| QTY | ID # OR TAG # | DIAMETER (IN) | KEFLEX PART # | PRESSURE THRUST @ DESIGN PRES. | 'A' OAL | 'B' SHELL O.D. | 'C' C/L | SPRING RATE (LB/IN) | 3D Model (.stp) |
|-----|---------------|---------------|---------------|--------------------------------|---------|----------------|---------|---------------------|-----------------|
|     |               | 1"            | F010DEP21HVGL | 2400 LBF                       | 65"     | 4 1/2"         | 4"      | 30                  |                 |
|     |               | 1 1/4"        | F012DEP21HVGL | 2400 LBF                       | 65 1/4" | 4 1/2"         | 4"      | 30                  |                 |
|     |               | 1 1/2"        | F014DEP21HVGL | 2400 LBF                       | 65 1/4" | 4 1/2"         | 4"      | 30                  |                 |
|     |               | 2"            | F020DEP21HVGL | 2400 LBF                       | 66 1/2" | 4 1/2"         | 4 1/2"  | 30                  |                 |
|     |               | 2 1/2"        | F024DEP21HVGL | 6100 LBF                       | 78 1/2" | 6 5/8"         | 4 1/2"  | 120                 |                 |
|     |               | 3"            | F030DEP21HVGL | 6100 LBF                       | 78 1/2" | 6 5/8"         | 5"      | 120                 |                 |
|     |               | 3 1/2"        | F034DEP21HVGL | 6100 LBF                       | 78 1/2" | 6 5/8"         | 6 1/4"  | 120                 |                 |
|     |               | 4"            | F040DEP21HVGL | 9000 LBF                       | 71"     | 8 5/8"         | 6 1/4"  | 120                 |                 |
|     |               | 5"            | F050DEP21HVGL | 20500 LBF                      | 80 1/2" | 10 3/4"        | 7 1/2"  | 250                 |                 |
|     |               | 6"            | F060DEP21HVGL | 20500 LBF                      | 80 1/2" | 10 3/4"        | 7 1/2"  | 250                 |                 |
|     |               | 8"            | F080DEP21HVGL | 24500 LBF                      | 73 1/2" | 12 3/4"        | 8 1/2"  | 300                 |                 |
|     |               | 10"           | F100DEP21HVGL | 36700 LBF                      | 73 1/2" | 16"            | 10 1/4" | 500                 |                 |
|     |               | 12"           | F120DEP21HVGL | 50500 LBF                      | 73 1/2" | 18"            | 11 1/4" | 700                 |                 |

| IMPORTANT LINKS            |  |
|----------------------------|--|
| BROCHURE:                  |  |
| INSTALLATION INSTRUCTIONS: |  |
| WEBSITE:                   | <a href="http://FLEX-WELD.COM">FLEX-WELD.COM</a> |



MADE IN THE USA

1425 LAKE AVE  
 WOODSTOCK, IL 60098  
 800-323-6893