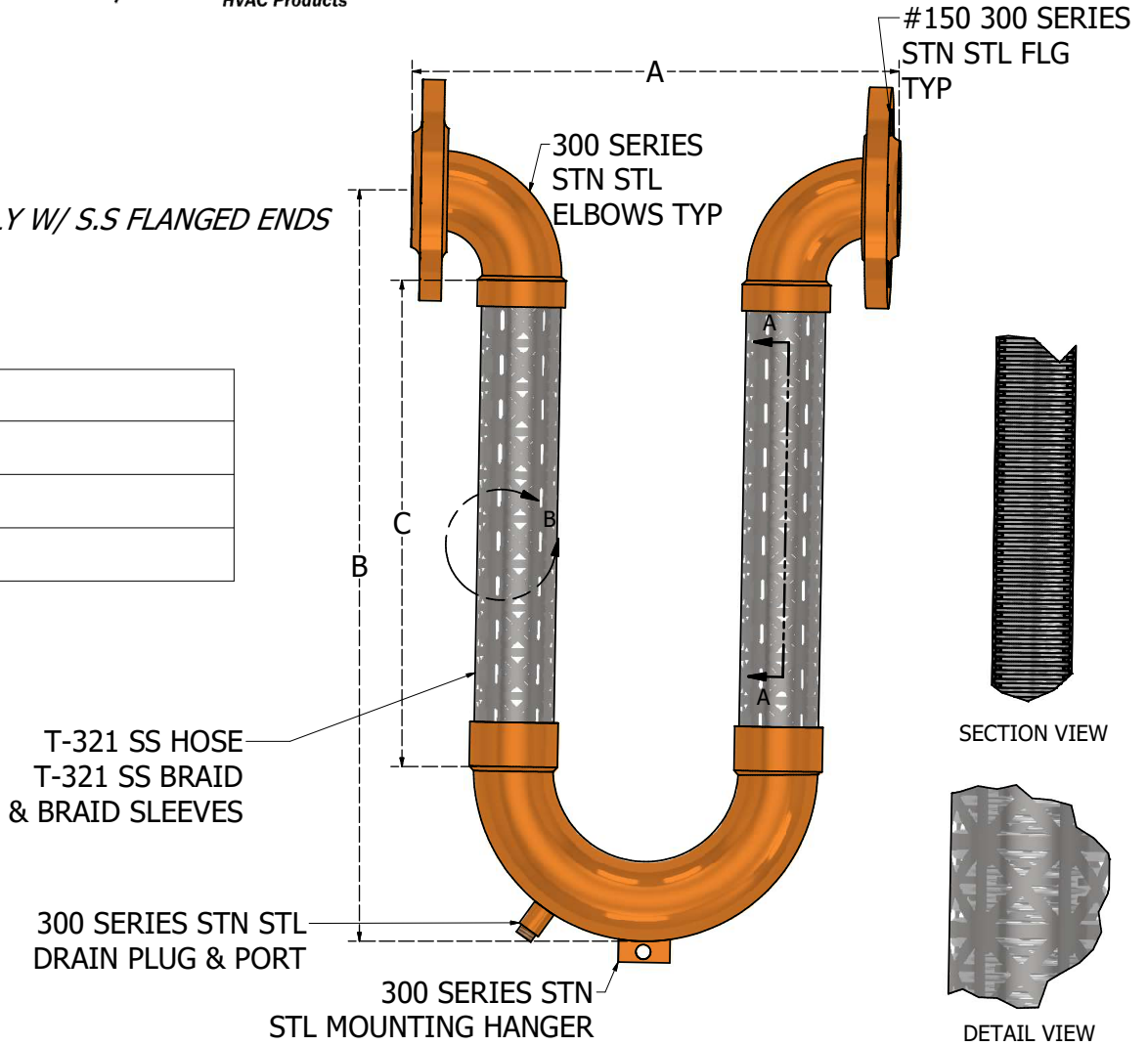


UL LISTED #150
U-LOOP ASSEMBLY W/ S.S FLANGED ENDS
(4" MOVEMENT)

PROJECT	
CUSTOMER	
ENGINEER	
ARCHITECT	



QTY	KEFLEX PART #	HOSE DIA (IN)	'A' = OAL	'B' = HEIGHT	'C' = HANG LENGTH	MOVEMENT (IN)	PRESSURE @ 70 F (PSI)	DRAIN SIZE (IN)	WEIGHT (LBS)
	F020KFCSFUS40UL	2"	14"	24-1/4"	15"	4"	175	1/2"	19
	F024KFCSFUS40UL	2-1/2"	16"	27"	18"	4"	175	1/2"	27
	F030KFCSFUS40UL	3"	19"	29-1/4"	18-1/2"	4"	175	1/2"	39
	F040KFCSFUS40UL	4"	25"	34-3/4"	20-1/2"	4"	175	1/2"	54
	F060KFCSFUS40UL	6"	37"	44-3/8"	23"	4"	175	3/4"	103
	F080KFCSFUS40UL	8"	49"	52-3/8"	24"	4"	175	3/4"	188

PRESSURE REDUCTION FACTOR FOR T-304 SS BRAID ABOVE 70 F

TEMP (*F)	FACTOR
70	1.00
200	0.91
300	0.85
400	0.78
500	0.77
600	0.76

NOTE:
FOR SAFE WORKING
PRESSURE MULTIPLY PRESSURE
RATING AT 70°F BY THE APPLICABLE
CORRECTION FACTOR



1425 LAKE AVE
WOODSTOCK, IL, 60098
815-334-3600
www.kelcoind.com