



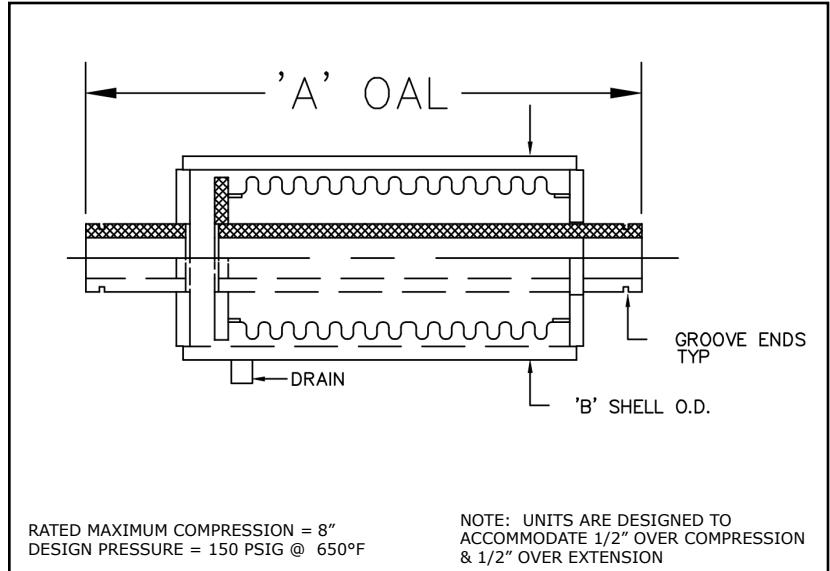
HVAC Products

SUBMITTAL

Mar 2018

EXTERNALLY PRESSURIZED EXPANSION JOINT 150# 8" COMPRESSION W/GROOVE ENDS

PROJECT:	
CUSTOMER:	
ENGINEER:	
ARCHITECT:	



MATERIALS OF CONSTRUCTION	
BELLOW:	300 SERIES STAINLESS STEEL
PIPE:	CARBON STEEL SCH. STD.
PLATES:	CARBON STEEL

QTY	ID # OR TAG #	DIAMETER (IN)	KEFLEX PART #	PRESSURE THRUST @ DESIGN PRES.	'A' OAL	'B' SHELL O.D.	SPRING RATE (LB/IN)	3D Model (.stp)
		1"	F010SEP04MVGL	1200 LBF	36 1/8"	4 1/2"	20	
		1 1/4"	F012SEP04MVGL	1200 LBF	36 3/8"	4 1/2"	20	
		1 1/2"	F014SEP04MVGL	1200 LBF	36 3/8"	4 1/2"	20	
		2"	F020SEP04MVGL	1200 LBF	36 7/8"	4 1/2"	20	
		2 1/2"	F024SEP21MVGL	3000 LBF	42 7/8"	6 5/8"	80	
		3"	F030SEP21MVGL	3000 LBF	42 7/8"	6 5/8"	80	
		3 1/2"	F034SEP21MVGL	3000 LBF	42 7/8"	6 5/8"	80	
		4"	F040SEP21MVGL	4500 LBF	39 1/8"	8 5/8"	85	
		5"	F050SEP21MVGL	10100 LBF	43 7/8"	10 3/4"	160	
		6"	F060SEP21MVGL	10100 LBF	43 7/8"	10 3/4"	160	
		8"	F080SEP21MVGL	12250 LBF	40 3/8"	12 3/4"	220	
		10"	F100SEP21MVGL	18300 LBF	40 3/8"	16"	240	
		12"	F120SEP21MVGL	25200 LBF	40 3/8"	18"	430	

IMPORTANT LINKS	
BROCHURE:	
INSTALLATION INSTRUCTIONS:	
WEBSITE:	KELCOIND.COM



MADE IN THE USA

**1425 LAKE AVE
WOODSTOCK, IL 60098
Ph: 815-334-3600**